

INSTALLATION

MOUNTING THE UNIT

- (1) Choose a convenient location close to water supply and not more than 5' off floor.
- (2) Remove the cover from the unit.
- (3) Hold proportioner against wall and mark keyholes — use a level for marking holes.
- (4) Drill holes and install either toggle bolts or masonry screws (not supplied).
- (5) Hang the unit and tighten screws — see Figures 1 and 2. Always refer to hardware manufacturer's specifications for weight capacity and usage.

ATTACHING THE DRIP TRAY

- (1) Use screws provided in accessory kit to secure drip tray to bottom of proportioner.
- (2) Attach a length of 1/4" tubing to drip tray for draining liquids.
- (3) Divert drain tube to sink, drain, or five gallon holding jug.

CONNECTING THE WATER SUPPLY

This proportioner operates best with a flowing water pressure of 30 - 40 PSI. Fluctuating pressure can affect dilution ratios — use a water source that is not feeding other equipment whenever possible. Water temperature should be between 40°F and 180°F.

- (1) Attach male connector on high pressure supply hose to inlet side of proportioner using garden hose washer.
- (2) Attach female connector on high pressure hose to water source.
- (3) Turn on water and check for possible leaks.

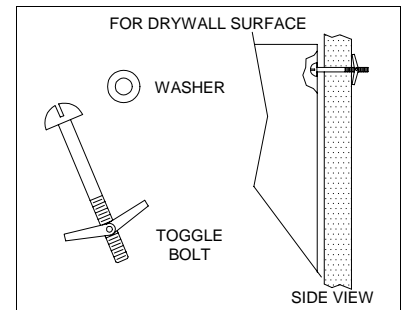


Figure 1

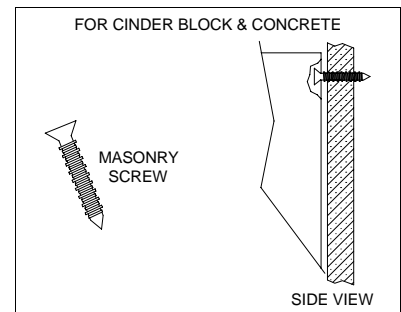


Figure 2

IMPORTANT NOTE:

If proportioner is connected to a janitor's sink with an atmospheric vacuum breaker, a special connection kit is required by A.S.S.E. specification 1055. Failure to use this kit, or equivalent connection means, will invalidate the A.S.S.E. and I.A.P.M.O. (UPC) certification. Specify P/N 7600187 when ordering the kit.

CHOOSING THE FLOW RATE

STANDARD VENTURI AND FLEX-GAP

For standard venturi and Flex-Gap systems, the flow rate is controlled by a venturi tube located within the venturi body. Venturi tubes have their GPM rating molded on the side, or can be identified by color; WHITE = 1 GPM/ BLACK = 4 GPM.

To change the venturi tube:

- (1) Disconnect tubing from venturi body.
- (2) Remove venturi body.
- (3) Push out existing venturi tube by inserting a pen up through the bottom of the venturi body — see Figure 3.
- (4) Insert the new venturi tube (for the desired flow rate) into the venturi body, ensuring that it seats firmly.
- (5) Thread venturi body back in place and hand-tighten.

AIRE-GAP VENTURI

For Aire-Gap venturi systems, the flow rate is controlled by a nozzle, deflector plate, and venturi tube. These internal parts are color coded to identify their GPM rating; BLUE = 1 GPM/BLACK = 3 GPM.

To change these parts:

- (1) Disconnect tubing from venturi body.
- (2) Remove Aire-Gap assembly from water valve.
- (3) Remove existing nozzle, deflector plate, and venturi tube by disassembling the Aire-Gap — see Figure 4.
- (4) Reassemble the Aire-Gap using new nozzle, deflector plate, and venturi tube (for the desired flow rate). To avoid leakage, install the rubber washer with the 3 “ears” facing upwards. Hand-tighten the venturi body to the Aire-Gap body.
- (5) Thread Aire-Gap assembly back in place and hand-tighten.

CHOOSING DILUTION RATES

IMPORTANT: The dilution chart for the standard venturi and Flex-Gap is different than the chart for the Aire-Gap venturi. Be sure to use the correct dilution chart for metering tip selection.

METERING TIP SELECTION

For each valve in the system, install appropriate metering tip from the charts on page 3. Be sure the metering tip is threaded in hand-tight only.

CALIBRATING ACTUAL PRODUCT RATIOS

To easily calculate the ounces per gallon for a specific product:

- (1) Fill a graduated cylinder or spray bottle (that has ounce markings) with product.
- (2) Install metering tip closest to desired ounces per gallon — see dilution charts.
- (3) Drop chemical pick-up tube into the container holding the product.
- (4) Activate valve until chemical line is primed up to the metering tip.
- (5) Note how many ounces (of product) are in the container.
- (6) Activate valve again, and fill a one gallon container with water/product mix.
- (7) Note how many ounces (of product) were used.
- (8) You now have determined actual ounces per gallon for this product. Repeat this procedure as desired for other valves and products.

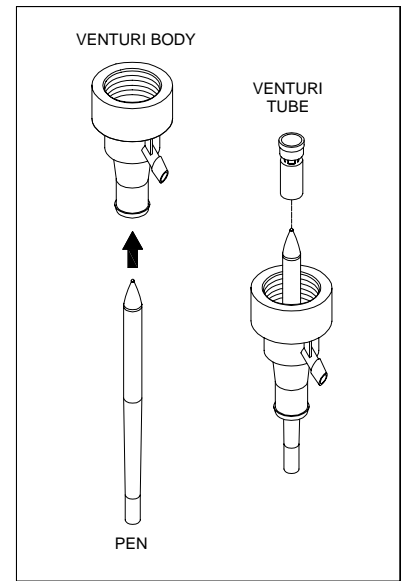


Figure 3

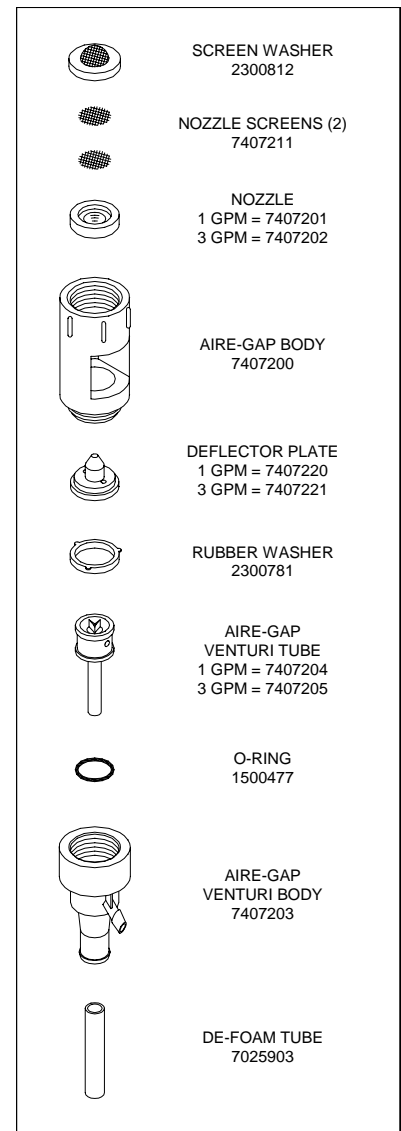


Figure 4

| STANDARD VENTURI/FLEX-GAP | | | | |
|----------------------------------|---------------|--------------|---------------|--------------|
| TIP COLOR | 1 GPM | | 4 GPM | |
| | OZ/GAL | RATIO | OZ/GAL | RATIO |
| NO INSERT | 28 | 3.6:1 | 25 | 4.3:1 |
| WHITE | 22 | 4.8:1 | 20 | 5.4:1 |
| YELLOW | 18 | 6.1:1 | 18 | 6.1:1 |
| PINK | 16 | 7.0:1 | 16 | 7.0:1 |
| GREEN | 15 | 7.8:1 | 12 | 12:1 |
| BLACK | 14 | 8.5:1 | 10 | 15:1 |
| BROWN | 12 | 10:1 | 7 | 20:1 |
| GRAY | 8 | 15:1 | 5 | 31:1 |
| BLUE | 6 | 20:1 | 4 | 42:1 |
| RED | 3 | 42:1 | 3 | 63:1 |
| PEACH | 2.5 | 50:1 | 2 | 72:1 |
| LT BLUE | 2.0 | 63:1 | 1.5 | 101:1 |
| PURPLE | 1.75 | 74:1 | 1 | 127:1 |
| LT GREEN | 1.5 | 84:1 | 0.75 | 170:1 |
| ORANGE | 1 | 127:1 | 0.50 | 255:1 |
| LT BROWN | 0.5 | 255:1 | 0.25 | 511:1 |

| AIRE-GAP VENTURI | | | | |
|-------------------------|---------------|--------------|---------------|--------------|
| TIP COLOR | 1 GPM | | 3 GPM | |
| | OZ/GAL | RATIO | OZ/GAL | RATIO |
| NO INSERT | 35 | 2.7:1 | 21 | 5.1:1 |
| WHITE | 32 | 3.0:1 | 20 | 5.4:1 |
| YELLOW | 30 | 3.3:1 | 18 | 6.1:1 |
| PINK | 26 | 4.0:1 | 16 | 7.0:1 |
| GREEN | 23 | 4.6:1 | 12 | 10:1 |
| BLACK | 20 | 5.4:1 | 10 | 12:1 |
| BROWN | 16 | 7.0:1 | 7 | 17:1 |
| GRAY | 10 | 12:1 | 5 | 25:1 |
| BLUE | 7 | 17:1 | 4 | 31:1 |
| RED | 4 | 31:1 | 3 | 42:1 |
| PEACH | 2.5 | 50:1 | 2 | 63:1 |
| LT BLUE | 2.25 | 56:1 | 1.5 | 84:1 |
| PURPLE | 2 | 63:1 | 1 | 127:1 |
| LT GREEN | 1.5 | 84:1 | 0.75 | 170:1 |
| ORANGE | 1 | 127:1 | 0.50 | 255:1 |
| LT BROWN | 0.5 | 255:1 | 0.25 | 511:1 |

These charts are based upon the chemical viscosity of water (CPS = 1.0) and should only be used as a guide. Actual ratios and flow rates may vary due to product viscosity, flow pressure, and tubing distance(s).

OPERATION

CONNECTING THE CHEMICAL SUPPLY

IMPORTANT: When an Aire-Gap venturi is operating without a chemical supply line connected, or a supply line that is not completely full, water may spit from the gap area. The “spitting” is considered normal and will cease when the supply line is filled with chemical. This does not apply to standard venturi or Flex-Gap.

- (1) Place chemical container(s) inside the proportioner cabinet
- (2) Insert the foot-valve end of the 3/8" vinyl tube into each container (use ceramic weight if necessary to sink tube to bottom).
- (3) Connect the inlet tube over the colored metering tip — secure with a plastic zip tie.

INSTALLING BUCKET-FILL TUBE (OPTIONAL)

- (1) Remove spring clip securing the unused spout in place.
- (2) Remove spout and cover remaining hole with plastic plug provided.
- (3) FOR STANDARD VENTURI AND FLEX-GAP: Connect the bucket fill tube with the flow restrictor (plastic insert) end closest to the venturi body.

FOR AIRE-GAP VENTURI: Connect a fill tube with no flow restrictor (plastic insert) or cut the restrictor off the end of an existing tube.

- (4) Secure tube to venturi body with tie wraps provided.
- (5) Route the other end through a hole provided at either side of case.
- (6) When not in use, hang the tube on the drip tray using the hook provided.

INSTALLING BUTTON LOCK TAB (OPTIONAL)

See Figure 5 for illustration.

- (1) Install button lock tab (provided) between the magnet stem and magnet screw.
- (2) Ensure that tab is pointing downward as magnet screw is tightened.
- (3) Cut off tab in the slot of locking button.
- (4) Rotate button as cover is placed back on unit to line up the slot with the tab.
- (5) Button will now lock in the “on” position by turning slightly clockwise while pressed in.
- (6) Turn button counter-clockwise to release.

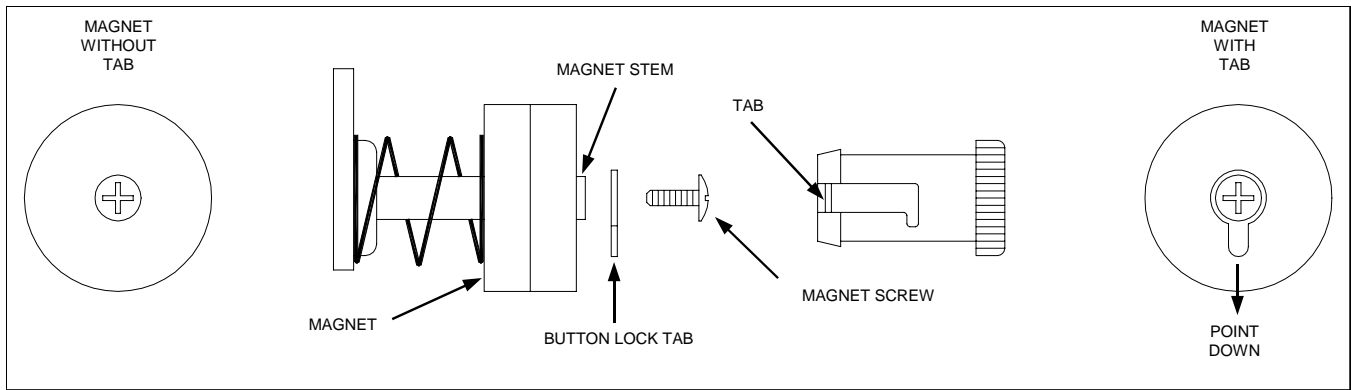
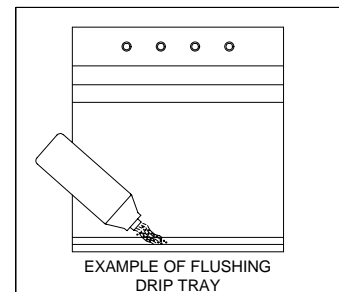
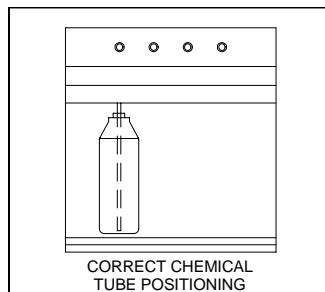
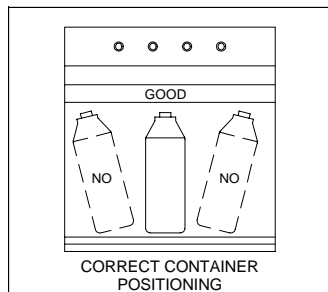


Figure 5

SAFETY AND SERVICING TIPS

- Avoid direct contact with chemicals — insert containers with caution. To avoid spillage, be careful not to tip container.
- Insert chemical suction line into container so that footvalve and ceramic weight sink to the bottom.
- Flush the drip tray with fresh water once each month to help reduce the effects of chemical on the tray.
- If valve fails to draw chemical, check the metering tip and footvalve for blockage — soak in warm water to clear.



DISCLAIMER

Knight Inc. does not accept responsibility for the mishandling, misuse, or non-performance of the described items when used for purposes other than those specified in the instructions. For hazardous materials information consult label, MSDS, or Knight Inc.

WARRANTY

All Knight controls and pump systems are warranted against defects in material and workmanship for a period of ONE year. All electronic control boards have a TWO year warranty. Warranty applies only to the replacement or repair of such parts when returned to factory with a Knight Return Authorization (KRA) number, freight prepaid, and found to be defective upon factory authorized inspection. Bearings and pump seals or rubber and synthetic rubber parts such as “O” rings, diaphragms, squeeze tubing, and gaskets are considered expendable and are not covered under warranty. Warranty does not cover liability resulting from performance of this equipment nor the labor to replace this equipment. Product abuse or misuse voids warranty.

KNIGHT INC. A Unit of IDEX Corporation

World Headquarters:
20531 Crescent Bay Dr.
Lake Forest, CA
92630-8825 USA
TEL: (949) 595-4800
FAX: (949) 595-4801

Atlanta Branch:
8111 Technology Dr. NE
Covington, GA
30014 USA
TEL: (770) 787-9400
FAX: (770) 787-1155

Toronto Branch:
2283 Argenta Road
Mississauga, Ontario
L5N 5Z2 Canada
TEL: (905) 542-2333
FAX: (905) 542-1536

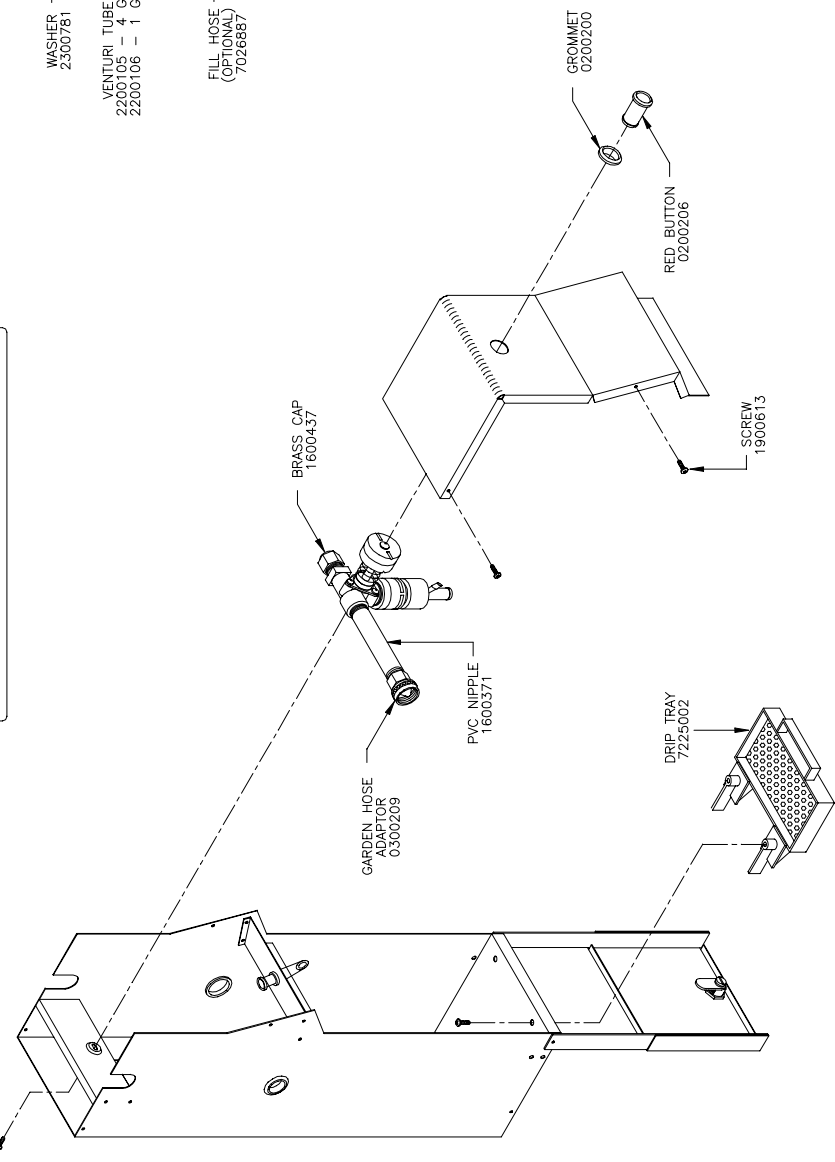
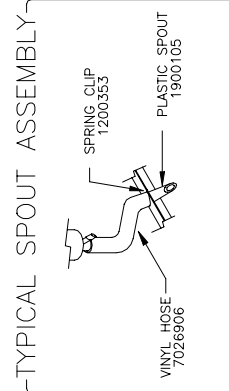
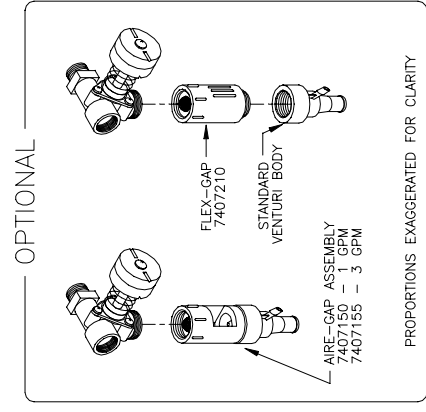
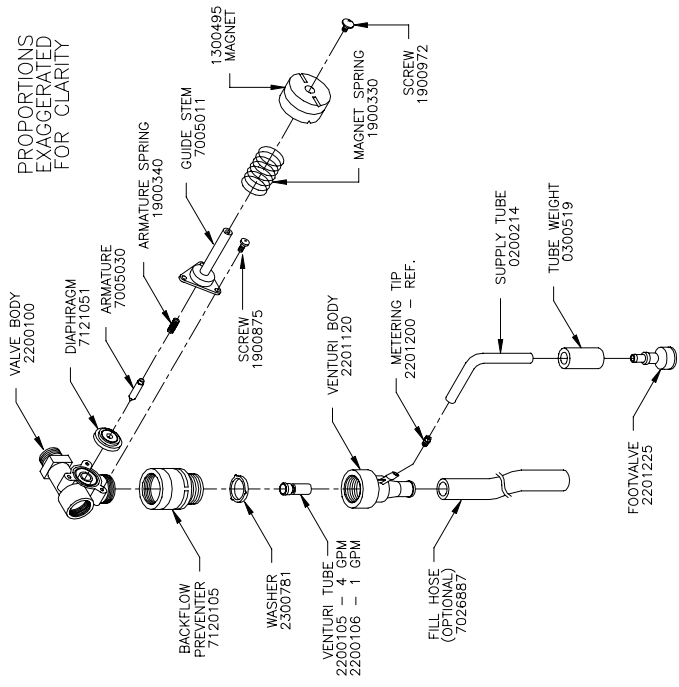
London Branch:
#15 Brunel Centre
Newton Road, Crawley
West Sussex UK RH102UB
TEL: (44) 1293-615570
FAX: (44) 1293-615585

Sydney Branch:
Unit 28, 317-321
Woodpark Rd., Smithfield
NSW Australia 2164
TEL: 61-29-725-2588
FAX: 61-29-725-2025

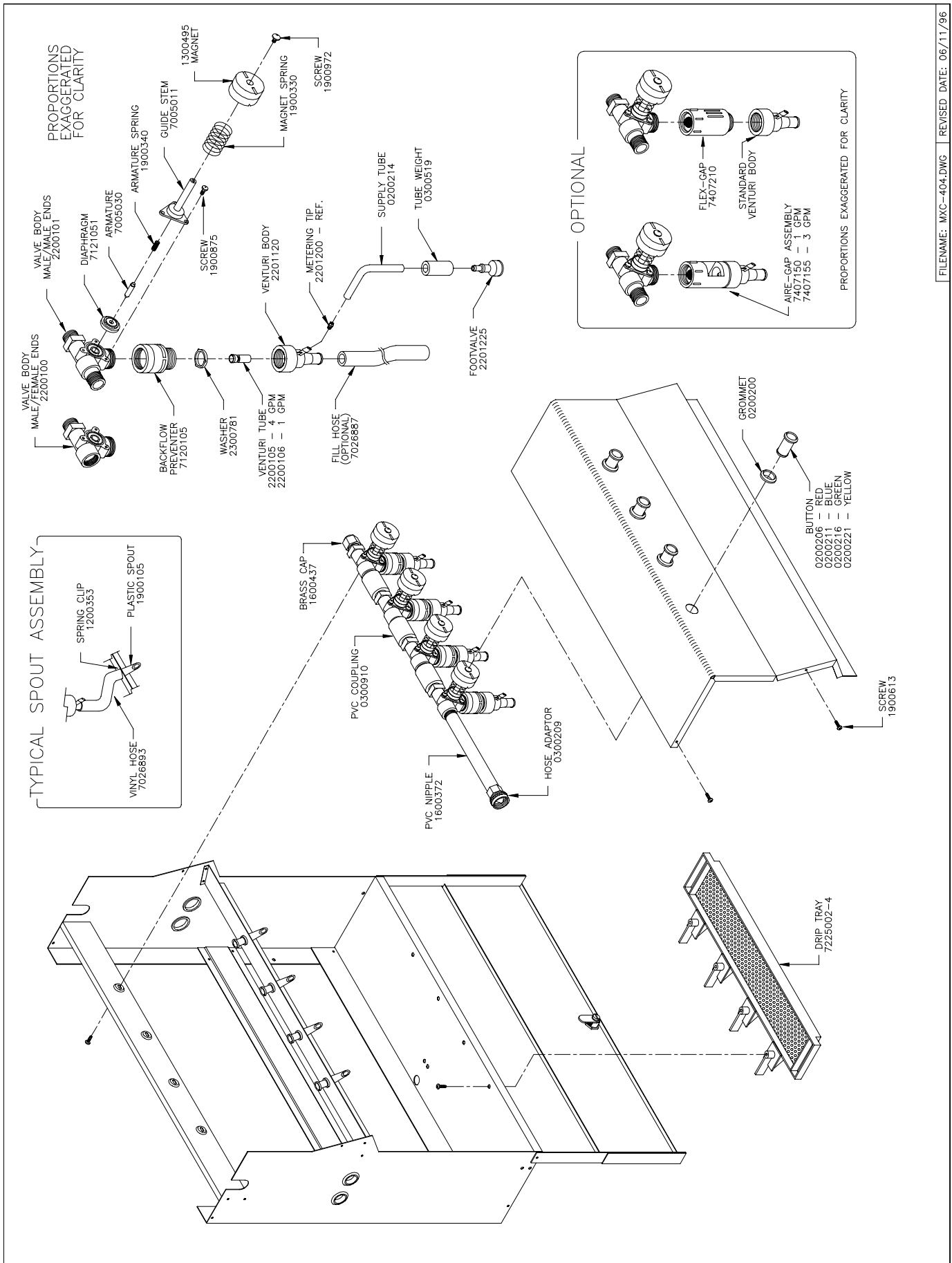
Amsterdam Branch:
Marssteden 68
7547 TD Enschede
The Netherlands
TEL: 31-53-428-58-00
FAX: 31-53-428-58-09

1 PRODUCT SYSTEM PARTS DIAGRAM

PROPORTIONS EXAGGERATED FOR CLARITY



4 PRODUCT SYSTEM PARTS DIAGRAM



FILENAME: MXC-404.DWG REVISED DATE: 06/11/96