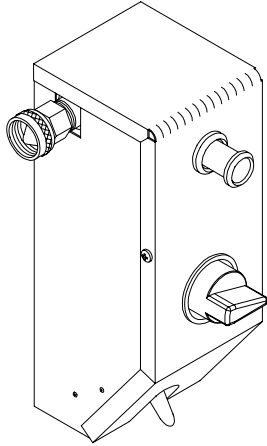


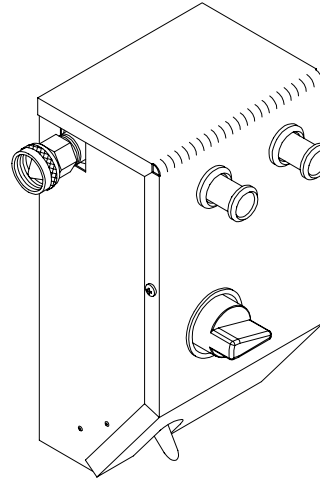
# KNIGHT

**IDEX**  
IDEX CORPORATION

## INSTRUCTION MANUAL



**DIAL-A-MIX**



**DIAL-A-MIX PLUS**

## INSTALLATION

### MOUNTING THE UNIT

1. Choose a convenient location close to water supply and not more than 5' off floor.
2. Remove the cover from the unit.
3. Hold proportioner against wall and mark keyholes — use a level for marking holes.
4. Drill holes and install either toggle bolts or masonry screws (not supplied).
5. Hang the unit and tighten screws — see Figures 1 and 2. Always refer to hardware manufacturer's specifications for weight capacity and usage.

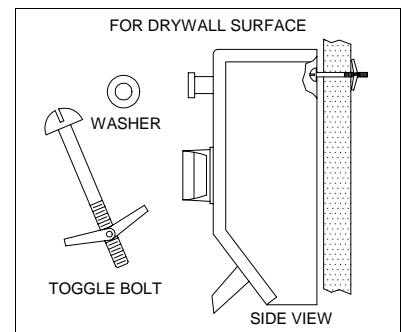
### ATTACHING THE DRIP TRAY (OPTIONAL)

1. Locate tray 12" to 15" below spout(s). Mount in the same manner as proportioner.
2. Attach a length of 1/4" tubing to drip tray for draining liquids.
3. Divert drain tube to sink, drain, or five gallon holding jug.

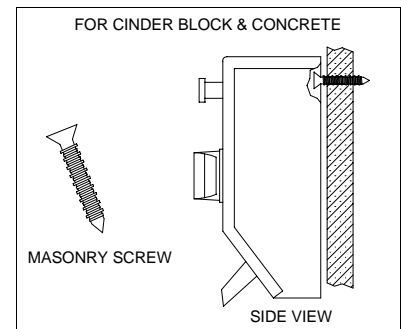
### CONNECTING THE WATER SUPPLY

This proportioner operates best with a flowing water pressure of 30 - 40 PSI. Fluctuating pressure can affect dilution ratios. Use a water source that is not feeding other equipment whenever possible. Water temperature should not exceed 140°F.

1. Attach male connector on high pressure supply hose to inlet side of proportioner using garden hose adapter with washer.
2. Attach female connector on high pressure hose to water source.
3. Turn on water and check for possible leaks.



**Figure 1**



**Figure 2**

### IMPORTANT NOTE:

If proportioner is connected to a janitor's sink with an atmospheric vacuum breaker, a special connection kit is required by A.S.S.E. specification 1055. Failure to use this kit, or equivalent connection means, will invalidate the A.S.S.E. and I.A.P.M.O. (UPC) certification. Specify P/N 7600187 when ordering the kit.

## CHOOSING THE FLOW RATE

### SYSTEMS WITH FLEX GAP

For systems with Flex-Gap backflow preventer(s), the flow rate is controlled by a venturi tube located within the venturi body. Venturi tubes have their GPM rating molded on the side, or can be identified by color.

WHITE = 1 GPM      BLACK = 4 GPM

To change the venturi tube:

1. Disconnect tubing from venturi body.
2. Remove venturi body.
3. Push out existing venturi tube by inserting a pen up through the bottom of the venturi body — see Figure 3.
4. Insert the new venturi tube (for the desired flow rate) into the venturi body, ensuring that it seats firmly.
5. Thread venturi body back in place and hand-tighten.

### SYSTEMS WITH AIRE-GAP

For systems with Aire-Gap backflow preventer(s), the flow rate is controlled by a nozzle, deflector plate, and venturi tube. These internal parts are color coded to identify their GPM rating.

BLUE = 1 GPM      BLACK = 3 GPM

To change these parts:

1. Disconnect tubing from venturi body.
2. Remove Aire-Gap assembly from water valve.
3. Remove existing nozzle, deflector plate, and venturi tube by disassembling the Aire-Gap — see Figure 4.
4. Reassemble the Aire-Gap using new nozzle, deflector plate, and venturi tube (for the desired flow rate). To avoid leakage, install the rubber washer with the 3 “ears” facing upwards. Hand-tighten the venturi body to the Aire-Gap body.
5. Thread Aire-Gap assembly back in place and hand-tighten.

## CHOOSING DILUTION RATES

**IMPORTANT: The dilution rate tables for Flex-Gap and Aire-Gap are different. Be sure to use the correct dilution chart for metering tip selection (see pg. 3).**

### METERING TIP SELECTION

For each chemical pick-up tube, install the appropriate metering tip into the chemical ports before connecting the pick-up tubes. Be sure the metering tip is threaded in hand-tight only.

### CALIBRATING ACTUAL PRODUCT RATIOS

To easily calculate the ounces per gallon for a specific product:

1. Fill a graduated cylinder or spray bottle (that has ounce markings) with product.
2. Install metering tip closest to desired ounces per gallon — see tip selection charts.
3. Drop chemical pick-up tube into the container holding the product.
4. Activate valve until chemical line is primed up to the metering tip.
5. Note how many ounces (of product) are in the container.
6. Activate valve again, and fill a one gallon container with water/product mix.
7. Note how many ounces (of product) were used.
8. You now have determined actual ounces per gallon for this product.

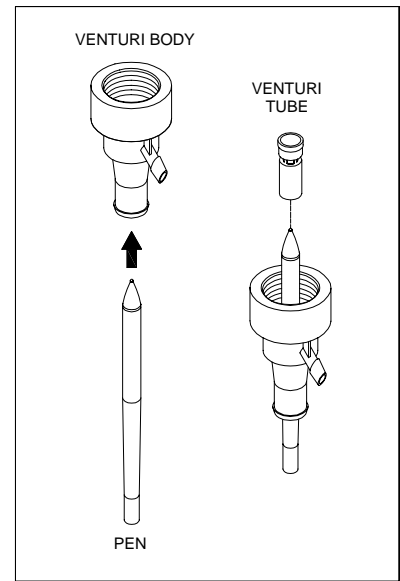


Figure 3

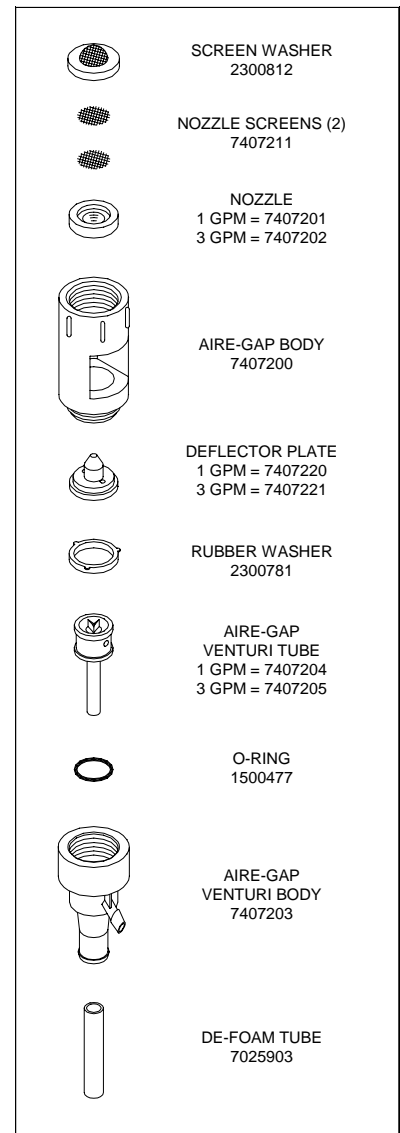


Figure 4

<b>SYSTEMS WITH FLEX-GAP</b>				
TIP COLOR	1 GPM		4 GPM	
	OZ/GAL	RATIO	OZ/GAL	RATIO
NO INSERT	28	3.6:1	25	4.3:1
WHITE	22	4.8:1	20	5.4:1
YELLOW	18	6.1:1	18	6.1:1
PINK	16	7.0:1	16	7.0:1
GREEN	15	7.8:1	10	12:1
BLACK	14	8.5:1	8	15:1
BROWN	12	10:1	6	20:1
GRAY	8	15:1	4	31:1
BLUE	6	20:1	3	42:1
RED	3	42:1	2	63:1
PEACH	2.50	50:1	1.75	72:1
LT BLUE	2.00	63:1	1.25	101:1
PURPLE	1.75	74:1	1.00	127:1
LT GREEN	1.50	84:1	0.75	170:1
ORANGE	1.00	127:1	0.50	255:1
LT BROWN	0.50	255:1	0.25	511:1

<b>SYSTEMS WITH AIRE-GAP</b>				
TIP COLOR	1 GPM		3 GPM	
	OZ/GAL	RATIO	OZ/GAL	RATIO
NO INSERT	35	2.7:1	21	5.1:1
WHITE	32	3.0:1	20	5.4:1
YELLOW	30	3.3:1	18	6.1:1
PINK	26	4.0:1	16	7.0:1
GREEN	23	4.6:1	12	10:1
BLACK	20	5.4:1	10	12:1
BROWN	16	7.0:1	7	17:1
GRAY	10	12:1	5	25:1
BLUE	7	17:1	4	31:1
RED	4	31:1	3	42:1
PEACH	2.5	50:1	2	63:1
LT BLUE	2.25	56:1	1.5	84:1
PURPLE	2	63:1	1.0	127:1
LT GREEN	1.5	84:1	0.75	170:1
ORANGE	1.0	127:1	0.50	255:1
LT BROWN	0.5	255:1	0.25	511:1

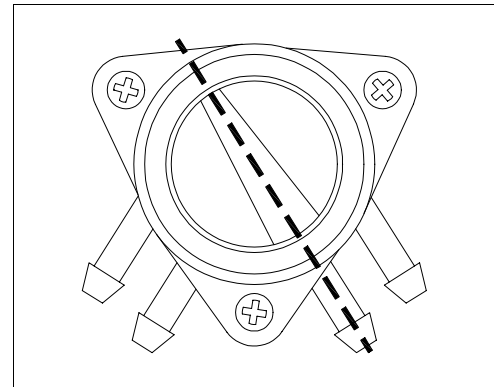
These tables are based upon the chemical viscosity of water (CPS = 1.0) and should only be used as a guide. Actual ratios and flow rates may vary due to product viscosity, flow pressure, and tubing distance(s).

### DIAL POSITION

The position of the dial determines which “port” of the dial-a-mix valve that chemical will be drawn through. It may be helpful to think of the dial’s selector knob as an imaginary line that passes through (or comes closest to) the port that will be used. See illustration to the right.

When the cover of the unit is in place, the selector knob will “point” to a chemical name label affixed to the cover. When connecting the chemical supply tubes, be sure to match the ports of the dial-a-mix valve to their corresponding labels.

When rotating the dial, it is important that the selector knob “clicks” into place at the desired position to ensure best operation.



## OPERATION

### CONNECTING THE CHEMICAL SUPPLY

**IMPORTANT:** When an Aire-Gap is operating without a chemical supply line connected, or a supply line that is not completely full, water may spit from the gap area. The “spitting” is considered normal and will cease when the supply line is filled with chemical. This does not apply for Flex-Gap.

1. Locate chemical container(s) below the proportioner.
2. Insert the foot-valve end of the 3/8" vinyl tube into each container (use ceramic weight if necessary to sink tube to bottom).
3. Connect the inlet tube over the colored metering tip — secure with a plastic zip tie.

### INSTALLING BUCKET-FILL TUBE (OPTIONAL)

1. Remove spring clip securing the unused spout (if so equipped) in place.
2. Remove spout (if so equipped) and cover remaining hole with plastic plug provided.
3. FLEX-GAP: Connect a bucket-fill tube with the flow restrictor (plastic insert) end closest to the venturi body.

AIRE-GAP: Connect a bucket-fill tube with no flow restrictor (plastic insert) or cut the restrictor off the end of an existing tube. The Aire-Gap will not work properly if there is a flow restrictor in the bucket-fill tube.

4. Secure tube to venturi body with tie wraps provided.
5. Route the other end through the bottom of case.
6. When not in use, hang the tube on the drip tray (optional) using the hook provided.

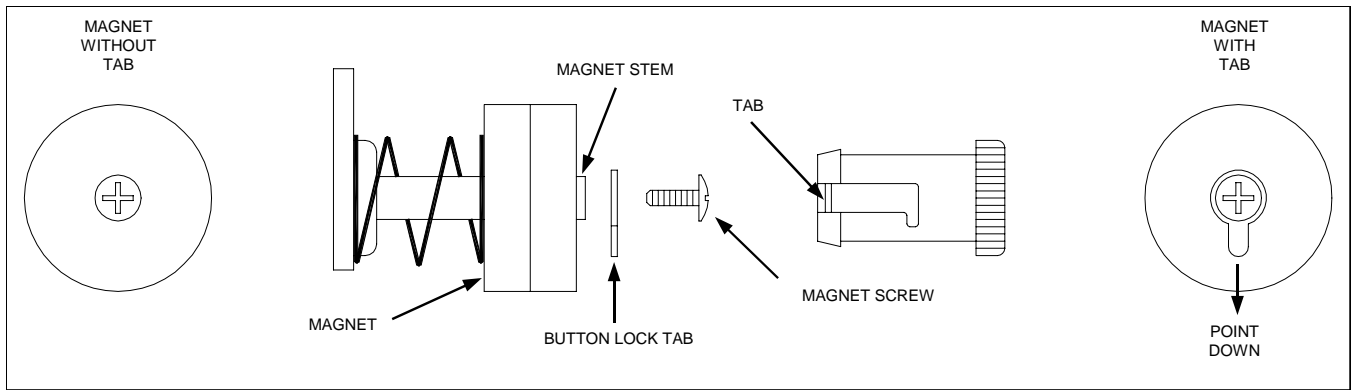


Figure 5

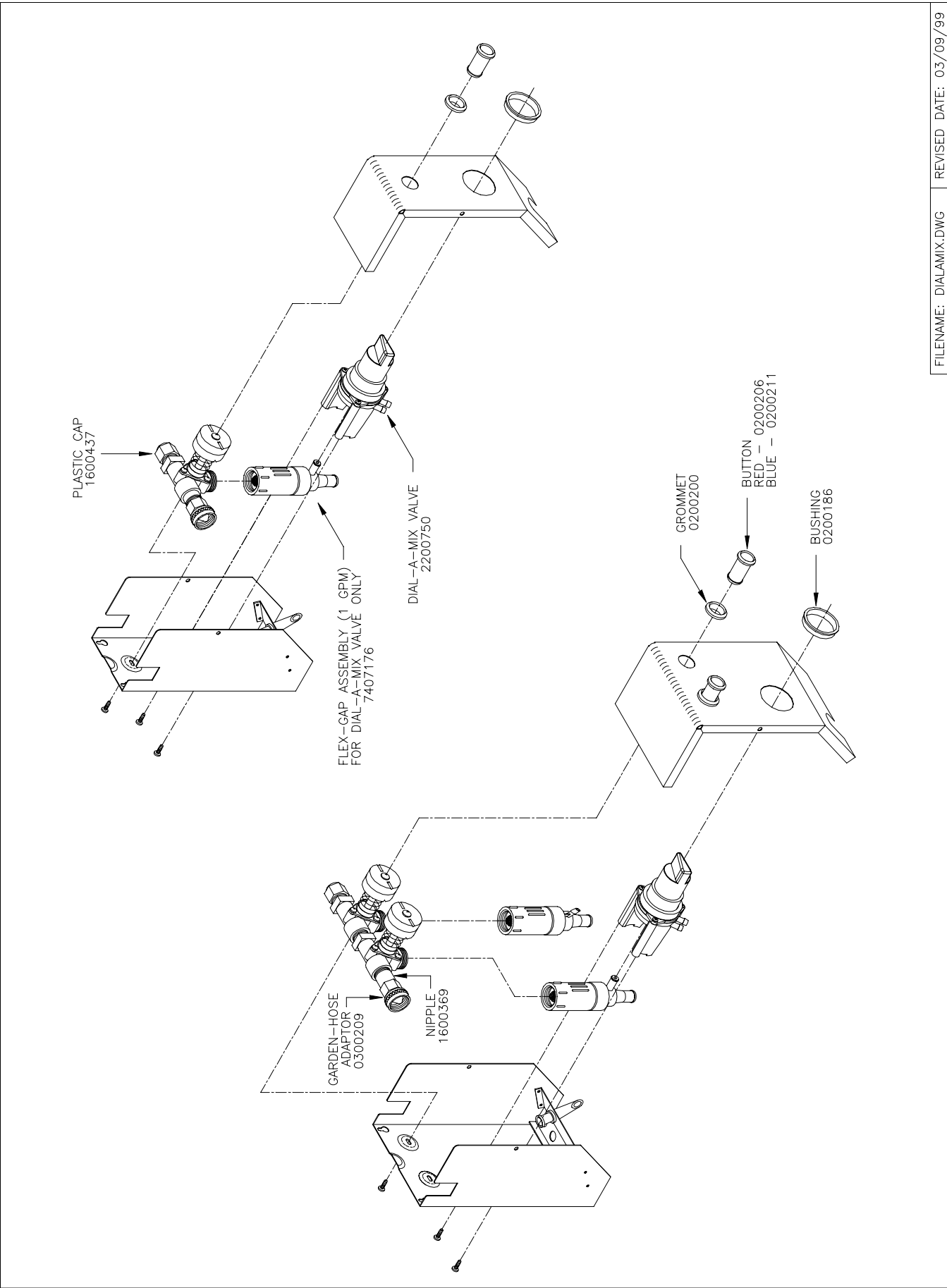
### **INSTALLING BUTTON LOCK TAB (OPTIONAL)**

See Figure 5 for illustration.

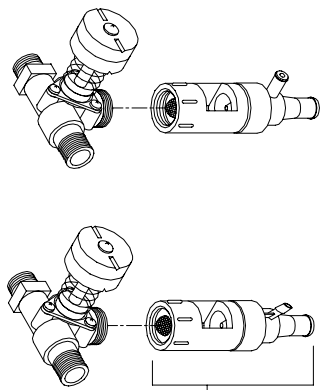
1. Install button lock tab (provided) between the magnet stem and magnet screw.
2. Ensure that tab is pointing downward as magnet screw is tightened.
3. Cut off tab in the slot of locking button.
4. Rotate button as cover is placed back on unit to line up the slot with the tab.
5. Button will now lock in the “on” position by turning slightly clockwise while pressed in.
6. Turn button counter-clockwise to release.

### **SAFETY AND SERVICING TIPS**

- Avoid direct contact with chemicals — handle containers with caution. To avoid spillage, be careful not to tip container.
- Insert chemical suction line into container so that footvalve and ceramic weight sink to the bottom.
- If valve fails to draw chemical, check the metering tip and footvalve for blockage — soak in warm water to clear.

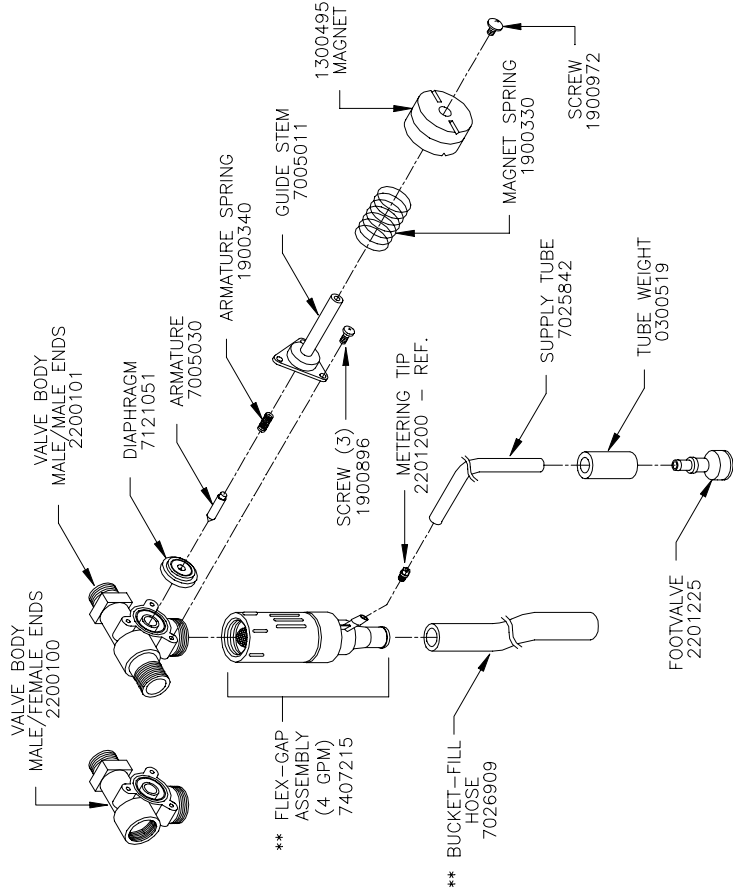


OPTIONAL

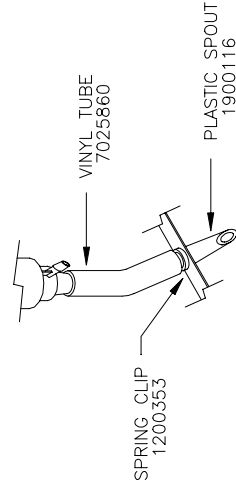


\*\* AIR-GAP ASSEMBLY (3 GPM) 7407155

AIR-GAP ASSEMBLY (1 GPM) FOR DIAL-A-MIX VALVE ONLY 7407170



SPOUT ASSEMBLY

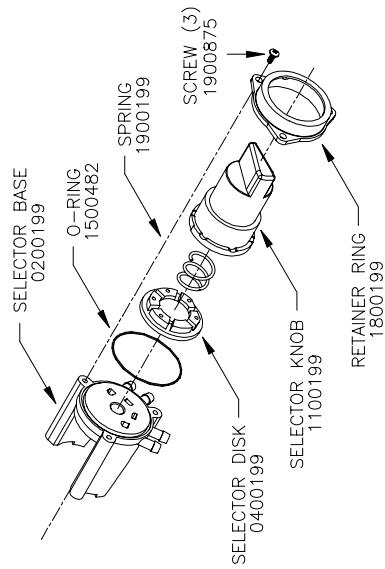


VINYL TUBE 7025860

SPRING CLIP 1200353

PLASTIC SPOUT 1900116

DIAL-A-MIX VALVE PARTS



SELECTOR BASE 0200199

O-RING 1500482

SPRING 1900199

SCREW (3) 1900875

SELECTOR DISK 0400199

SELECTOR KNOB 1100199

RETAINER RING 1800199

\*\* THESE PARTS ARE NOT FOR USE WITH DIAL-A-MIX VALVE

## NOTES

## DISCLAIMER

Knight Inc. does not accept responsibility for the mishandling, misuse, or non-performance of the described items when used for purposes other than those specified in the instructions. For hazardous materials information consult label, MSDS, or Knight Inc.

## WARRANTY

All Knight controls and pump systems are warranted against defects in material and workmanship for a period of ONE year. All electronic control boards have a TWO year warranty. Warranty applies only to the replacement or repair of such parts when returned to factory with a Knight Return Authorization (KRA) number, freight prepaid, and found to be defective upon factory authorized inspection. Bearings and pump seals or rubber and synthetic rubber parts such as "O" rings, diaphragms, squeeze tubing, and gaskets are considered expendable and are not covered under warranty. Warranty does not cover liability resulting from performance of this equipment nor the labor to replace this equipment. Product abuse or misuse voids warranty.

### **KNIGHT INC.** A Unit of IDEX Corporation

World Headquarters:  
20531 Crescent Bay Dr.  
Lake Forest, CA  
92630-8825 USA  
TEL: (949) 595-4800  
FAX: (949) 595-4801

Atlanta Branch:  
8111 Technology Dr. NE  
Covington, GA  
30014 USA  
TEL: (770) 787-9400  
FAX: (770) 787-1155

Toronto Branch:  
2283 Argentia Road  
Mississauga, Ontario  
L5N 5Z2 Canada  
TEL: (905) 542-2333  
FAX: (905) 542-1536

London Branch:  
#15 Brunel Centre  
Newton Road, Crawley  
West Sussex UK RH102UB  
TEL: (44) 1293-615570  
FAX: (44) 1293-615585

Sydney Branch:  
Unit 28, 317-321  
Woodpark Rd., Smithfield  
NSW Australia 2164  
TEL: 61-29-725-2588  
FAX: 61-29-725-2025

Amsterdam Branch:  
Marssteden 68  
7547 TD Enschede  
The Netherlands  
TEL: 31-53-428-58-00  
FAX: 31-53-428-58-09