

# RMP 200 Digital Instruction Manual

---

## **TABLE OF CONTENTS**

Specifications .....	3
Unit and Remote Dimensions .....	4
Package List .....	5
Installation Diagram .....	6
Installation and Assembly	
Mounting .....	7
Plumbing.....	8-10
Dry detergent plumbing .....	10
Probe Installation .....	11-12
Product Wiring .....	13-14
Operation.....	15-17
Programming .....	18-23
Declaration of Conformity.....	24
Warranty .....	25

### **SAFETY SYMBOL EXPLANATIONS**

Listed below are explanations of the safety symbols that appear either on the unit, in the instruction manual, or both. Please familiarize yourself with the meaning of each symbol.



**GENERAL CAUTION: This symbol indicates a general safety caution.**

## SETTING GUIDE

RMP VALUE RANGES					
MODE	DESCRIPTION	PROBE MODE		PROBELESS MODE	
		DOOR	CONVEYOR	DOOR	CONVEYOR
DetConcen	Detergent Concentration	0 - 100K	0 - 100K	N/A	N/A
AlarmDelay	Alarm Delay	0 - 512s	0 - 512s	N/A	N/A
RackTime	Rack Time	N/A	0 - 30s	N/A	0 - 30s
InitCharge	Initial Charge	N/A	N/A	0 - 64s	0 - 128s
Recharge	Recharge	N/A	N/A	0 - 20s	0 - 20s
RecAfRacks	Recharge After N Racks	N/A	N/A	0-5	0-5
RinseSpeed	Rinse Speed	0 -100%	0 -100%	0 -100%	0 -100%
RinseDelay	Rinse Delay	0 - 14s	N/A	0 - 14s	N/A
RinseLimit	Rinse Limit	0 - 30s	N/A	0 - 30s	N/A
ResetRackCNT	Reset Rack Count	Y/N	Y/N	Y/N	Y/N
ResetInitCNT	Reset Initial Charge Count	N/A	N/A	Y/N	Y/N
InitChaRepeat	Initial Charge Repeat	N/A	N/A	Y/N	Y/N

## SPECIFICATIONS

Pollution degree .....	2
Installation category .....	2
Altitude .....	<2187 yard (<2000 m)
Humidity .....	50% to 80%
Electrical supply .....	115, 208, or 230 Vac, 50/60 Hz
Main supply voltage fluctuations are not to exceed 10 percent of the nominal supply voltage Indoor use only	
Replacement Fuse.....	1Amp, 250V, 5x20mm, Fast-Acting
Ambient Temperature .....	41°F to 104°F (5°C to 40°C)
Rinse flow rate .....	1-1.5 oz/min (3-45 ml/min)
Detergent flow rate.....	7.8 oz/min (230 ml/min)
Main Unit Weight.....	7.5 lb. (2.8 kg)

## SAFETY PRECAUTIONS



**CAUTION:** Wear protective clothing and eyewear when dispensing chemicals or other materials. Observe safety handling instructions (MSDS) of chemical mfrs.

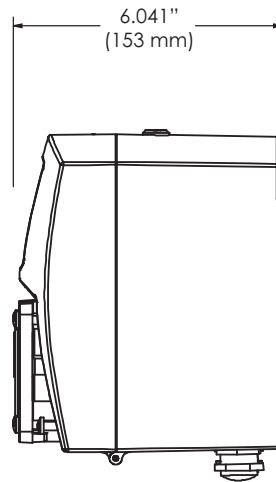
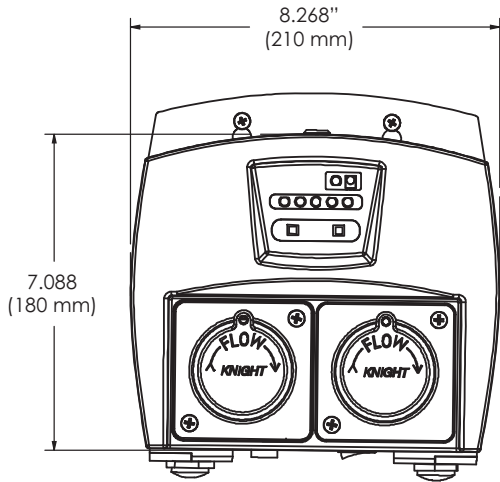


**CAUTION:** To avoid severe or fatal shock, always disconnect main power when servicing the unit.

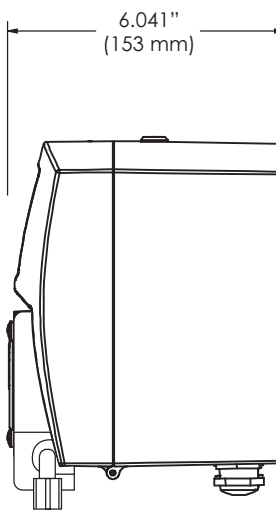
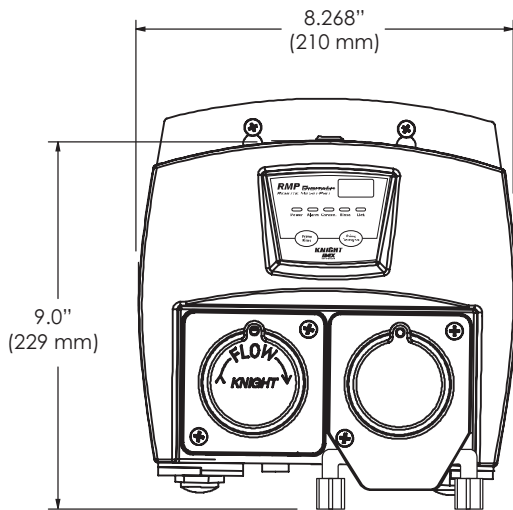


**CAUTION:** When installing any equipment, ensure that all national and local safety, electrical, and plumbing codes are met.

**MAIN UNIT DIMENSIONS**

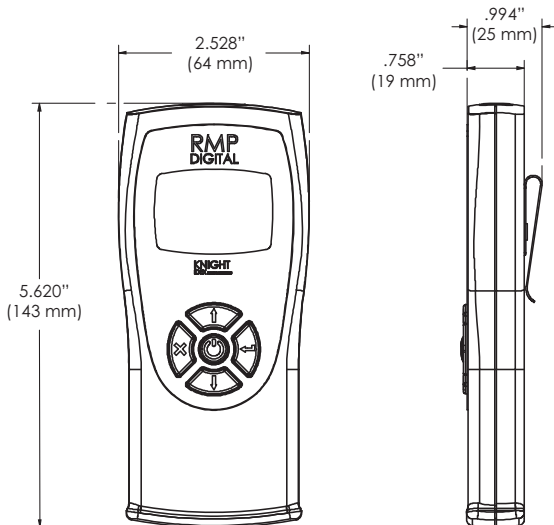


**RMP-200L (7162610-07)**



**RMP-200D (7162615-07)**

**REMOTE DIMENSIONS**



**RMP Remote (7150000)**

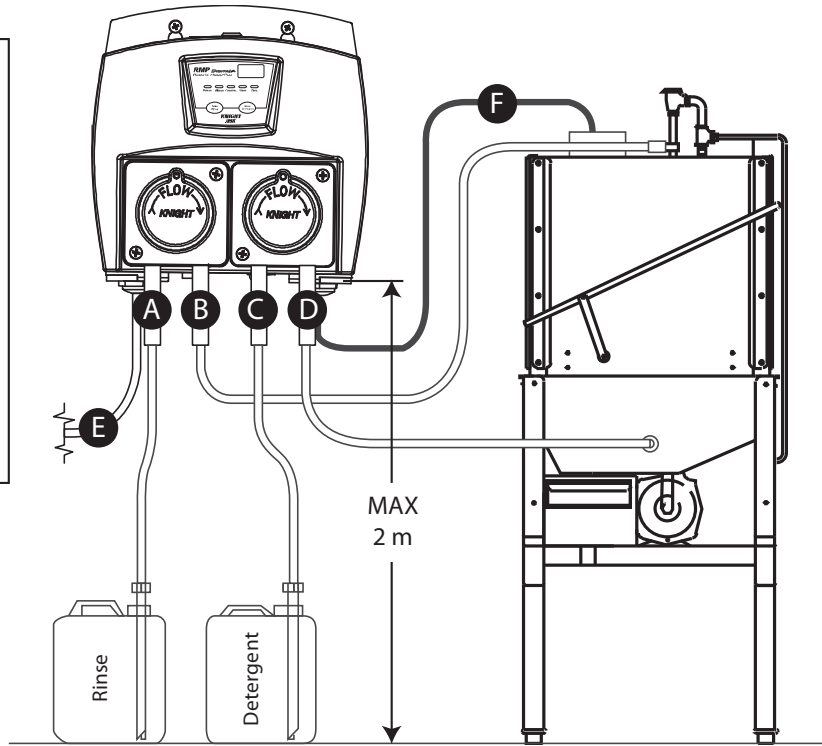
## PACKAGE CHECKLIST



- |   |  |
|---|--|
| <ul style="list-style-type: none"> <li>1. 1/4 " Poly-tubing, 6 meters (7005190)</li> <li>2. RMP-200L (7162610-07) (Shown) or RMP-200D (7162615-07)</li> <li>3. RMP Remote (7150000)<br/>Note: Not included in all RMP</li> <li>4. Mounting Plate (A100609)</li> <li>5. Pick-up tube (7020180)</li> <li>6. Instruction Manual (A100855)</li> <li>7. Check Valve, 1/4 tube (7901320)</li> <li>8. 2 x Flat head rolling screw (S100076)</li> </ul> | <ul style="list-style-type: none"> <li>9. 2 x Expansion screw: includes wall anchor and screw (7600121)</li> <li>10. Probe: includes gasket &amp; nut lock (7005190)</li> <li>11. 2 x Bullet connector, blue (0300650)</li> <li>12. 2 x Terminal ring tongue (2000682)</li> <li>13. 4 x Nut, #8-32, hex, S.S. (1400438)</li> <li>14. 4 x Tie wrap</li> <li>15. Bulkhead fitting (7023342)</li> </ul> |
|---|--|

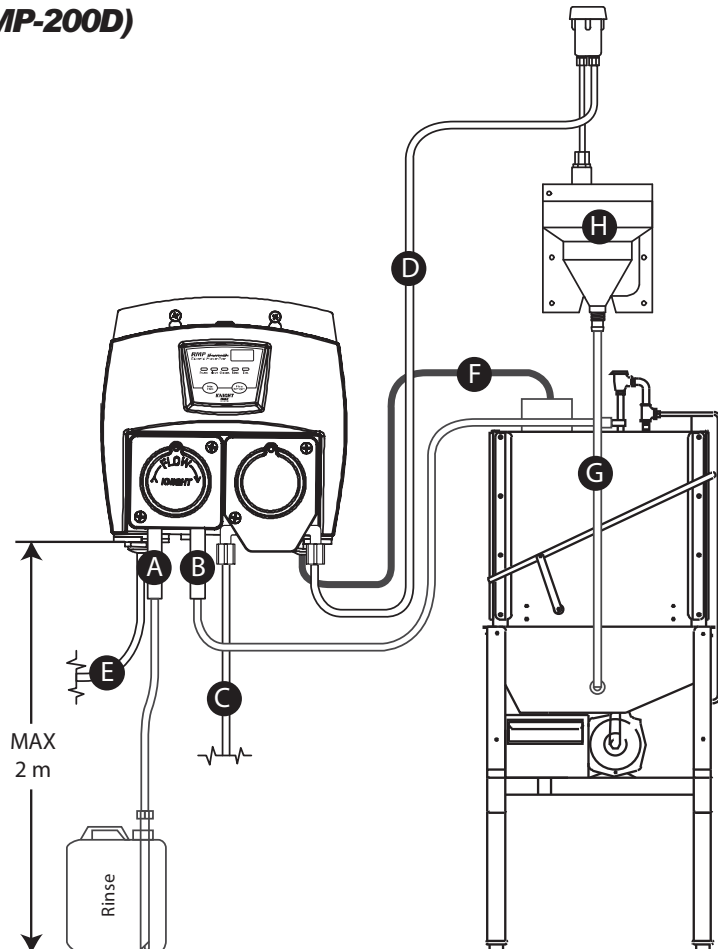
**INSTALLATION DIAGRAM (RMP-200L)**

- A** Rinse Suction
- B** Rinse Discharge
- C** Detergent Suction
- D** Detergent Discharge
- E** Power
- F** Rinse & Detergent Signals



**INSTALLATION DIAGRAM (RMP-200D)**

- A** Rinse Suction
- B** Rinse Discharge
- C** Water
- D** Water Discharge
- E** Power
- F** Rinse & Detergent Signals
- G** Detergent Discharge
- H** Powder/Solid type feeder



---

## INSTALLATION & ASSEMBLY

### MOUNTING

Mount the unit on a nearby wall (using suitable hardware) or on top of the dishwasher if desired. Try to keep the unit within three feet from the final rinse line to avoid long tubing runs.



**CAUTION:** Do not mount the unit in the direct path of steam. This can short circuit and permanently damage the unit. Mounting the unit on the side, on the back, or on the vents of the dishwasher may cause thermal overload and damage or hinder the performance of the unit.

Check all applicable plumbing and electrical codes before proceeding with the installation. This will help to ensure that the system is installed in safe and suitable manner. A wiring schematic of the dishwasher should be used as reference for making electrical connections — this is typically provided by the dishwasher manufacturer if one cannot be located on the machine itself.

**Step 1:** Use level to mark hole location for mounting bracket (4)



**Step 2:** Pre-drill pilot holes at the marked location. Insert wall anchor into the wall. Screw expansion screw (10) into wall anchor in wall.



**Step 3:** Install mounting bracket on back of RMP dispenser (2) using flat head rolling screw (8).



**Step 4:** Hang unit on two screws installed in step 2



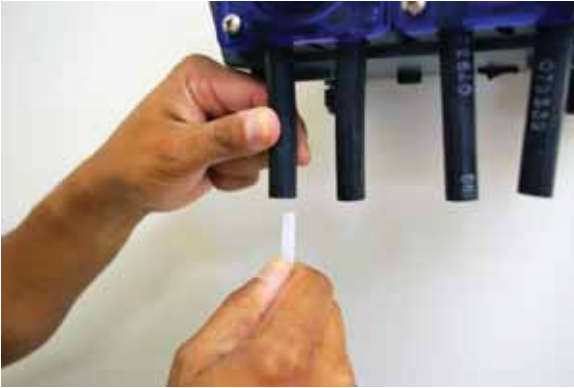
---

## **INSTALLATION & ASSEMBLY**

### **PLUMBING**

#### **RINSE & DETERGENT PLUMBING**

**Step 1:** Insert 1/4" OD poly tube (1) in suction (left) side of the peristaltic pump.



**Step 2:** Secure with tie wrap (14)



**Step 3:** Cut 1/4" OD poly tube to the appropriate length from pump to chemical container



**Step 4:** Insert suction end of 1/4" OD poly tube into pick-up tube (5)



**Step 5:** Insert poly-tube to the end of 1/4" OD poly tube leaving 5 mm from the end of the tube.



**Step 6:** Tighten grey compression nut on top of pick-up tube to secure poly-tube in place.



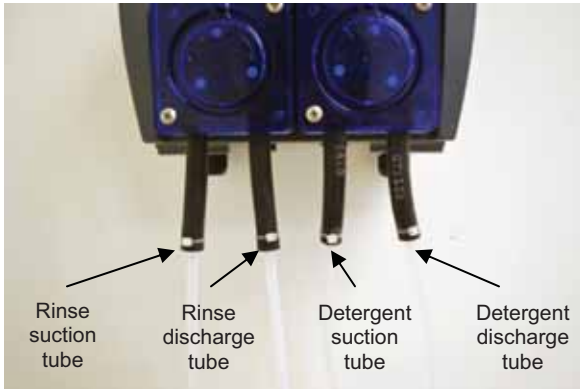


## INSTALLATION & ASSEMBLY

**Step 7:** Place pick-up tube into chemical container



**Step 8:** Repeat steps 1 through 7 for suction side of detergent pump. Repeat steps 1 to 3 for rinse and detergent discharge side.



**Step 2:** Screw rinse injection check-valve (7) clockwise into rinse line between the rinse solenoid valves and the rinse jets.



**Step 3:** Connect rinse 1/4" OD poly tubing from discharge side of the pump and the injection fitting. Tighten grey compression nut to secure 1/4" OD poly tube into place.



### LIQUID DETERGENT & RINSE PLUMBING TO THE DISHWASHER

**Step 1:** Wrap PTFE tape to threaded end of rinse injection check valve



**Step 4:** Install the provided bulkhead fitting (15) through a wall of the wash tank (above water level). If an existing mounting hole cannot be located, use of a 7/8" hole saw or punch may be desired.



---

## INSTALLATION & ASSEMBLY

**Step 5:** Attach rubber washer onto bulk head fitting on inside of wash tank.



**Step 6:** Securely hand tighten nut to bulk head fitting inside wash tank. Use pliers if necessary to tighten to prevent leaking.



**Step 7:** Cut a suitable length of 1/4" OD poly tubing and connect between the discharge (right) side of the detergent pump's and the bulkhead fitting.



**Step 8:** Hand-tighten the compression nuts on both the bulkhead fitting.



### **DRY DETERGENT PLUMBING (RMP-200D)**

**Step 1:** A powder or solid type feeder (not provided) should be used for dispensing dry detergent products. Follow the instructions included with the detergent feeder for installation, and recommended water temperature/pressure.

**Step 2:** Cut a suitable length of 1/4" OD poly tubing (not provided) and connect between the input side of the water solenoid and the water source. Maximum recommended water temperature is 140°F (60°C).

**Step 3:** Cut a suitable length of 1/4" OD poly tubing (not provided) and connect between the output of water solenoid to a powder or solid detergent feeder.

**Step 4:** Carefully tighten the compression nuts on the water solenoid — over tightening may cause solenoid to leak. Tighten connections to the water source and detergent feeder as needed.

---

## **INSTALLATION & ASSEMBLY**

### **PROBE INSTALLATION (if required)**

**Step 1:** Attach rubber washer onto P120 probe (10)



**Step 2:** Install the probe in the wash tank below the water level. It should be away from incoming water supplies, near the recirculating pump intake, and 3 to 4 inches from corners, heating elements, or the bottom of the tank. If an existing mounting hole cannot be located, use of a 7/8" hole saw or punch may be desired.



**Step 3:** Attach rubber washer on P120 probe on outside of wash tank.



**Step 4:** Securely hand tighten nut to P120 probe on outside of wash tank. Use pliers if necessary to tighten to prevent leaking.



**Step 5:** Hand tighten hex nut (13) to P120 probe, leaving 2 mm between hex nut and plastic wall of probe

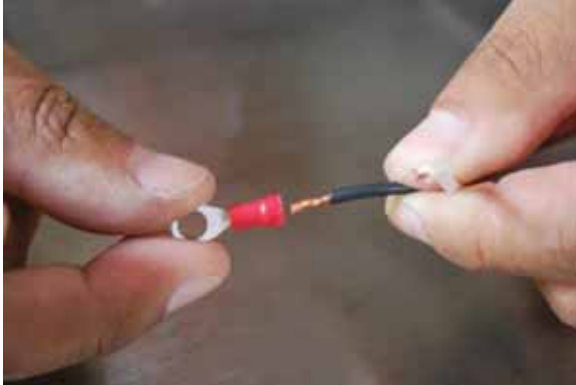


---

## INSTALLATION & ASSEMBLY

**Step 6:** Attach terminal ring tongue (12) to probe wire (**wire not included**). For best results, use 18 AWG multi-stranded copper wire for the probe connection. Avoid running the wire near high voltage AC lines.

**Note:** Bullet connectors (11) can be connected to probe wire instead of terminal ring tongue (installation not shown)



**Step 7:** Crimp terminal ring to probe wire.



**Step 8:** Repeat for step 7 for second terminal



**Step 9:** Place terminal ring tongues onto probe prongs



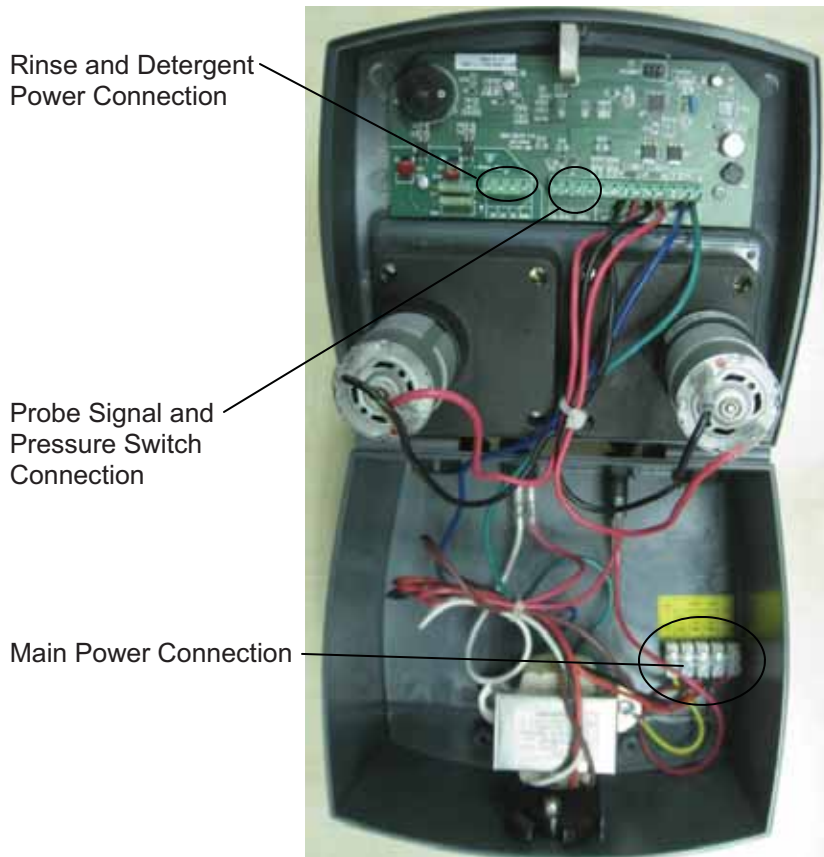
**Step 10:** Screw hex nut (13) on top of terminal ring tongues to secure onto P120 probe



---

## INSTALLATION & ASSEMBLY

### ELECTRICAL—PRODUCT WIRING



**CAUTION:** Turn off all power before wiring the control. Check with a voltmeter to ensure power is off.



**CAUTION:** The RMP unit has high voltage connected to the transformer. Always disconnect main power when servicing the unit.

#### MAIN POWER CONNECTION

One step-down transformer is provided with the RMP control. Connect the high voltage side, through a switch or circuit breaker in close proximity to the equipment and clearly marked for the RMP, to any 115/208/230 VAC power source that is “on” when the dishmachine is “on” (i.e. mains switch on dishmachine).

#### NOTE:

The transformer provides power to both the detergent and rinse circuits. The RMP will only operate detergent or rinse when electrically signaled.

To wire main power connection:

- (1) Check the voltage of the main power source and make sure that it matches one of the three available input voltages (115/208/230 VAC) of the transformer inside the Remote Micro-Pro.
- (2) Remove all power from the dishwasher.
- (3) Connect leads from the main power source to the appropriate wires on the transformer.

#### Remote Alarm

A remote 3 - 28 VDC alarm may be wired to the “alarm” terminals on the circuit board. See wiring diagram on page 14.

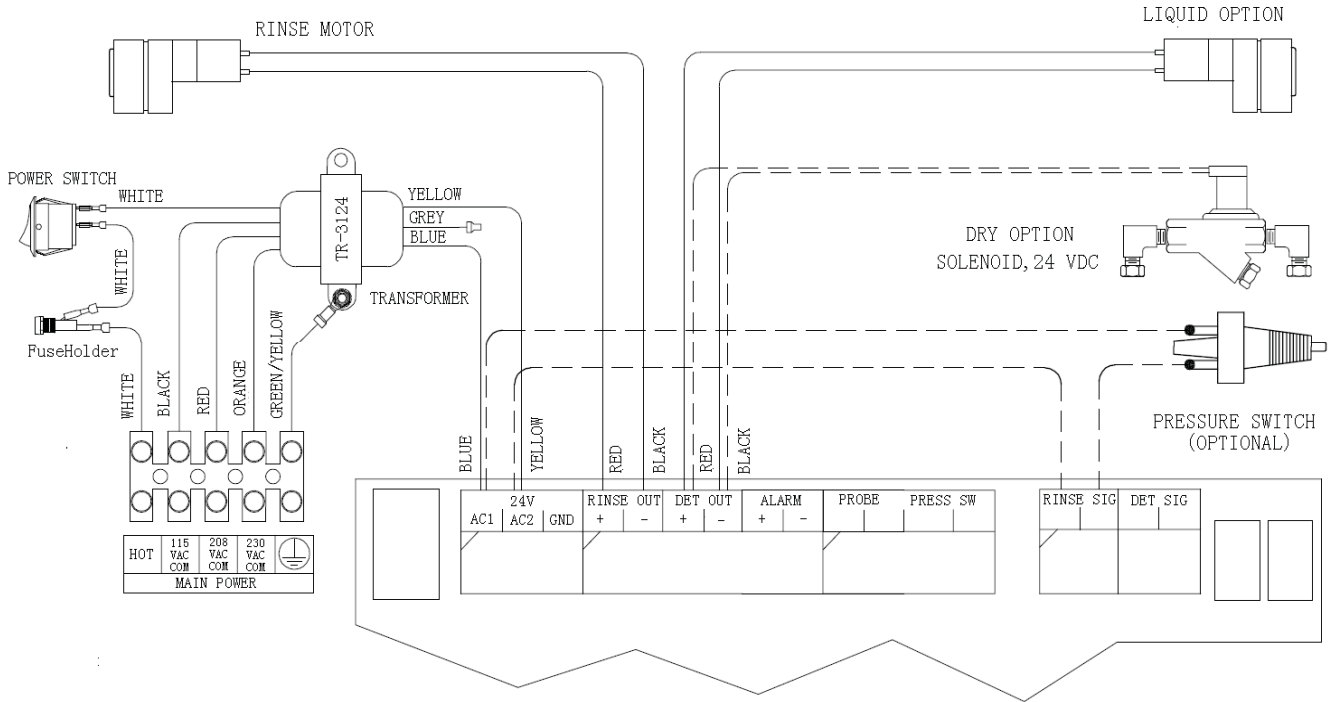
#### Pressure Switch Kit

For applications that do not have a dedicated rinse signal from the dishwasher, the pressure switch can be used to create a rinse signal using the transformer in the unit (see wiring diagram for further details).

- (1) Remove power from the dishmachine. Ensure that power is removed from the dispenser.
- (2) Locate the rinse injection fitting presently installed on the dishmachine (if applicable). Near the injection point, drill a hole for the pressure switch. Drill the hole using an 11/32" bit and tap to 1/8" NPT.
- (3) Wrap the threads of the pressure switch with 3 – 4 turns of plumbing tape, then install the pressure switch into the drilled/tapped hole.
- (4) Wire the pressure switch per the appropriate wiring diagram on page 14

# INSTALLATION & ASSEMBLY

## PRODUCT WIRING



### Detergent Power Signal

A detergent power signal is required to activate the detergent probe sensing or probeless initial charge. Detergent power can be jumpered from main power.

(1) Check the dishwasher for a power source that is active during the washcycle only (example: the magnetic contactor that controls the washpump motor) and verify voltage. The Remote Micro-Pro circuit board will accept a detergent power signal of 14 - 240 VAC.

(2) Remove all power from the dishwasher.

(3) Connect leads from the detergent signal power source to the detergent signal terminals on the circuit board.

### Rinse Power Signal

In addition to running the rinse pump, the rinse power signal also triggers the detergent "recharge" injection if probeless mode is selected

(1) Check the dishwasher for a power source that is active during the rinse cycle only (example: the rinse solenoid or rinse cycle light) and verify voltage. The Ultra Micro-Pro circuit board will accept a signal of 14 - 240 VAC.

(2) Remove all power from the dishwasher.

(3) Connect leads from the rinse signal source to the rinse signal terminals on the circuit board.

### Probe Installation (if required)

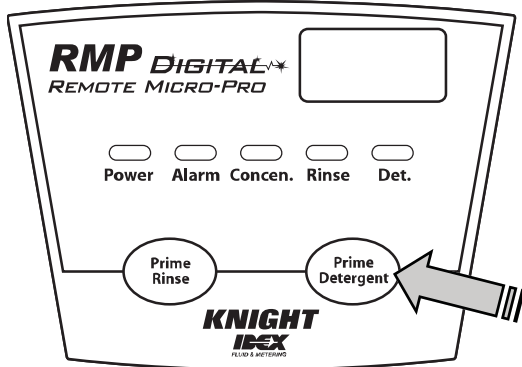
(1) Install the probe in the wash tank below the water level. It should be away from incoming water supply, near the recirculating pump intake, and 3 to 4 inches from corners, heating elements, or the bottom of the tank. If an existing mounting hole cannot be located, a 7/8" hole saw or punch may be used.

(2) Connect leads from the terminals on the probe to the "probe" terminals on the circuit board.

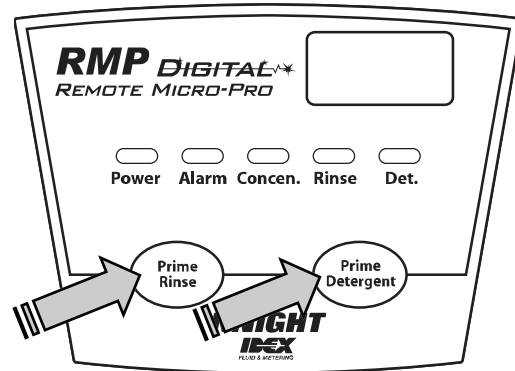
---

## OPERATION

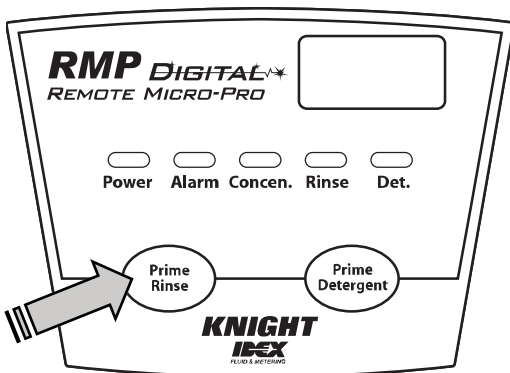
### Button Functions



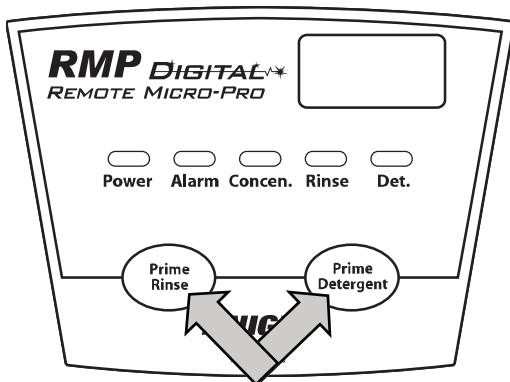
Prime the detergent pump by pressing "Prime Detergent" button when the unit is in normal operation mode.



Silence the alarm by pressing either button during normal operation, the low detergent alarm (probe mode) and LLA alarm can be silenced by pressing either button. The audio alarm will turn off after the alarm delay period to allow the chemical container to be checked and changed if necessary.



Prime the rinse pump by pressing the "Prime Rinse" button when the unit is in normal operation mode



Press both prime buttons simultaneously to turn on the de-lime mode (or to turn off de-lime mode). Chemical injection will be halted while the system is in de-lime mode but will resume normal operation mode when this feature is turned off. The unit will automatically exit de-lime mode after 10 minutes.

### Buzzer indications

Initial power on = long beep

Low level alarm = continuous beep

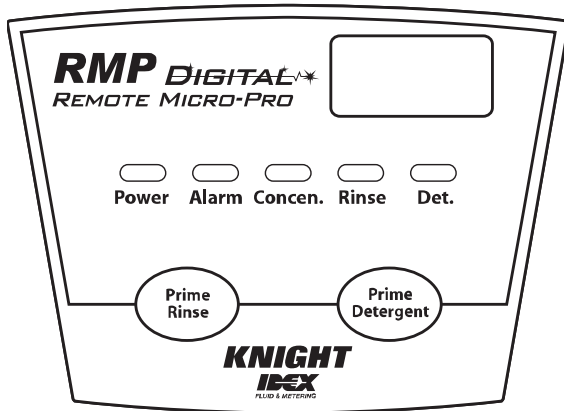
Concentration alarm on = continuous beep

IR information received = short beep

Programming successful = long beep

## OPERATION

### LED's Indications



**Unit power on**  
**Power**

**Low Level Alarm**  
**Alarm**

Flash red when the unit fails to reach desired detergent concentration within specified time. (in probe mode)

Red flash for 5 seconds indicates update setup successful.

**Programming**  
**Alarm**

Flash for 1 sec on successful program receipt

**Concentration**  
**Concen.**

Green indicates in concentration range,

Red indicates out of concentration range; remains off in probeless mode.

**Detergent**  
**Det.**

Detergent pump is running.

**Rinse**  
**Rinse**

Rinse pump is running.

**Delime**  
**Rinse Det.**

Both Detergent Feed and Rinse Feed lights will turn on and flash to indicate unit is in de-lime mode.

### Detergent Pump

#### Probe Mode

With the detergent signal "on", the conductivity probe senses detergent concentration. When the concentration drops below the set point, the control automatically turns on detergent feed. As the detergent feeds, the control senses the rate at which the detergent concentration is approaching the set point. The control then begins to pulse feeds to prevent over-use of chemical. The pulse feed rate will depend on how fast the set point is being approached.

The detergent alarm will sound if the set point is not reached within the alarm delay time period. The alarm can be temporarily silenced. A "feed limit" feature allows you to set the unit to automatically shut off the detergent feed after the alarm has been activated.

#### Probeless Mode

Controls detergent concentration without a probe, based on timed detergent feed modes. Initial charge time feeds detergent to bring the dishmachine to working concentration when initially filled with water.

The initial charge can be activated by a detergent signal, or by the rinse signal (of 30 seconds duration, or longer) when using door mode. The initial charge counter will increment for each activation. Recharge time feeds detergent to maintain detergent concentration as rinse water dilutes the water in the dish-machine. The recharge is triggered after a specified number of racks passes through the machine.



---

## **OPERATION**

### **Rinse Pump**

The rinse pump will operate whenever the rinse signal is energized. The rinse delay feature will postpone the activation of the rinse pump until the delay time has expired. The rinse limit shuts down the rinse pump after the rinse pump has run for a selected time. Rinse delay and rinse limit are functional with door machines only.

### **De-lime Mode**

All outputs are halted in de-lime mode including detergent pump and rinse pump, but all the display LEDs and alarm are still functional to indicate the pump status. Also infrared communication is available.

### **RMP Program Options**

#### **DetConcen** (Detergent Concentration)

Detergent concentration is set in Knight Units. (the range is from 0 to 100 Knight Units).

#### **AlarmDelay** (Alarm Delay)

Alarm delay is a time frame that the detergent setpoint is expected to be reached within. If the detergent setpoint is not achieved within the set time, the alarm will sound intermittently until the problem is resolved or power is cycled.

For door machines, this setting should be calibrated to 5 – 10 seconds shorter than the washcycle. For conveyor machines, should be slightly longer than the time it takes for the unit to achieve the setpoint with a fresh tank of water.  
DOOR: 0 to 512 seconds  
CONVEYOR: 0 to 512 seconds

#### **RackTime** (Rack Time)

CONVEYOR: 0 to 30 seconds

#### **InitCharge** (Initial Charge)

The initial charge feeds detergent to achieve working concentration when the dishmachine is initially filled with a fresh tank of water. The available timing ranges are...

DOOR: 0 to 64 seconds  
CONVEYOR: 0 to 128 seconds

#### **Recharge**

The recharge feeds detergent to maintain the working concentration as rinse water dilutes the dishmachine. The available timing ranges are...

DOOR: 0 to 20 seconds  
CONVEYOR: 0 to 20 seconds

#### **RecAfRacks** (Recharge After N Racks)

This setting allows you to choose how many racks will be counted before triggering the recharge feed. The range is 1 to 5 racks.

#### **RinseSpeed** (Rinse Speed)

This setting allows you to change the speed of the rinse pump.

#### **RinseDelay** (Rinse Delay)

This feature delays the operation of the rinse pump for a selectable time once the rinse signal is received. The delay time helps to conserve rinse agent on door-type dishwashers. The range is from 0 to 14 seconds.

#### **RinseLimit** (Rinse Limit)

The rinse limit shuts down the rinse pump after the rinse pump has run for a selected time, conserving rinse agent on door-type dishmachines that fill through the rinse valve. The range is from 0 to 30 seconds.

#### **ResetRackCNT** (Reset Rack Count)

Clears the rack counter

#### **ResetInitCNT** (Reset Initial Charge Count)

Clears the initial charge count

#### **InitChaRepeat** (Initial Charge Repeat)

This setting is used to prevent unwanted multiple repeating of the initial charge on certain types of dishwashers. ON is the default setting and initial charge will not be limited. OFF requires that the main power must be cycled before the system will allow another initial charge feed.

### **RMP View Option**

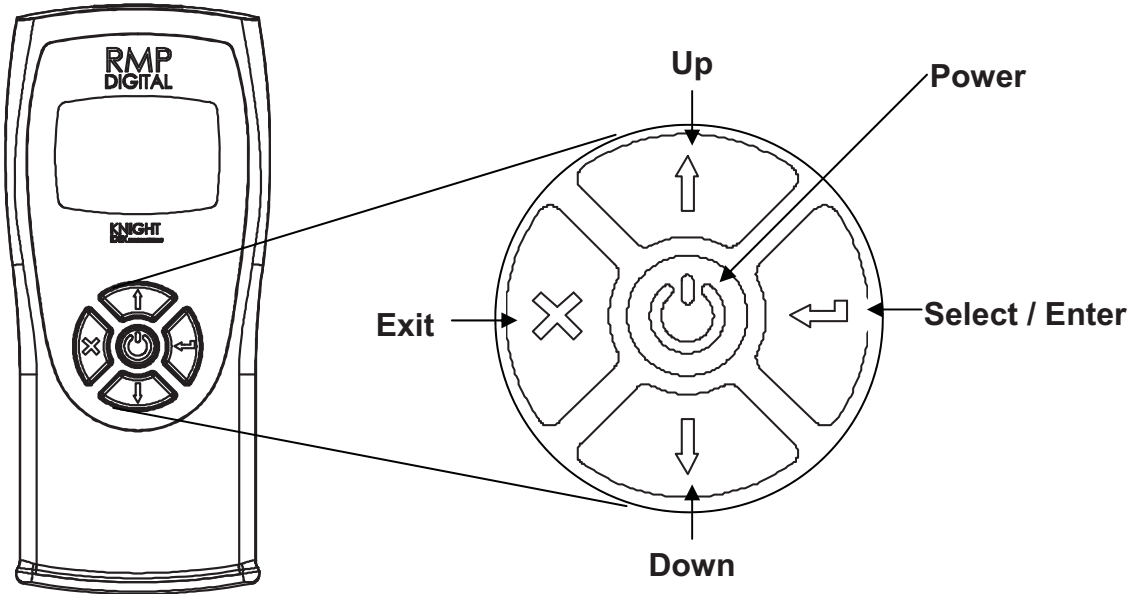
#### **RackCou** (Rack count)

#### **IniChaCou** (Initial charge count)

#### **Concen** (Detergent concentration)

#### **Version** (Dispenser main unit software version)

## PROGRAMMING



### Turning on Remote

Press POWER button to turn on remote. If left idle for more than 2 minutes, unit will power off automatically.

Press UP or DOWN to change the language.

### Language Selection

Press ENTER button go into language selection page

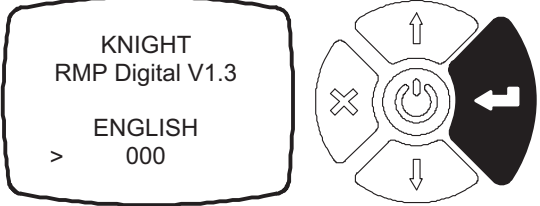
Press ENTER to confirm language.

Press ENTER button again, when selection is flashing, you can change the language.

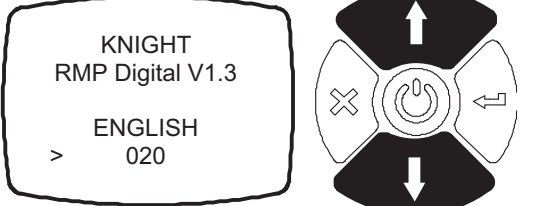
### Back Light Timer

Press DOWN to go to back light timer page

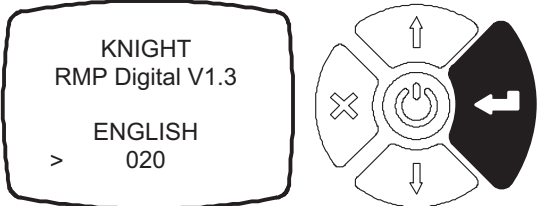
## Back Light Timer (continued)




Press ENTER button, when selection is flashing, you can change the number.



Press UP or DOWN to change the number.

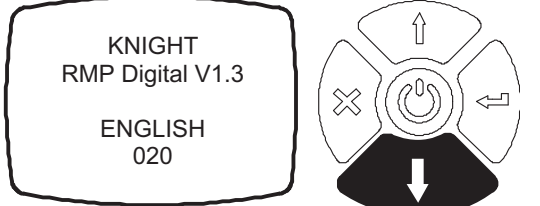


Press ENTER to confirm back light timer. You can set back light timer (0 to 20 seconds)




Press CANCEL button to exit password page and return to waiting page at any point during language selection or back light timer entry.


## Programming




Press DOWN button to get to the programming page



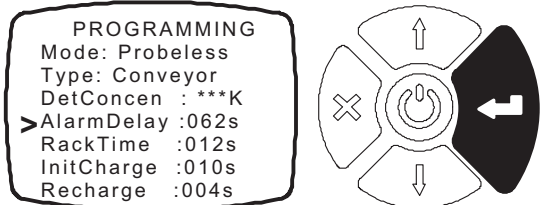
Press ENTER button go into the programming page



Press CANCEL button to exit programming and return to waiting page at any point during programming.



Press DOWN or UP button to select item



Press ENTER button, when selection is flashing, you can change the value

## Programming (Continued)

PROGRAMMING

Mode: Probeless

Type: Conveyor

DetConcen : \*\*\*K

> AlarmDelay :062s

RackTime :012s

InitCharge :010s

Recharge :004s

Press UP or DOWN to change value or number. When changing numeric value, you can press button for more than 3 seconds to change numeric value quickly.

PROGRAMMING

SanRunWith :Det

SanSpeed :050

> Password :0123

TXToDispenser

RXFromDispenser

Press UP or DOWN to input password number. When changing numeric value, you can press button for more than 3 seconds to change numeric value quickly.

PROGRAMMING

Mode: Probeless

Type: Conveyor

DetConcen : \*\*\*K

> AlarmDelay :062s

RackTime :012s

InitCharge :010s

Recharge :004s

Press ENTER button to confirm setup

PROGRAMMING

SanRunWith :Det

SanSpeed :050

> Password :0123

TXToDispenser

RXFromDispenser

Press ENTER button, to confirm password.  
NOTE: Password can be changed on the View Parameter page.

PROGRAMMING

Mode: Probeless

Type: Conveyor

DetConcen : \*\*\*K

AlarmDelay :062s

> RackTime :012s

InitCharge :010s

Recharge :004s

Press DOWN or UP to continue

PROGRAMMING

SanRunWith :Det

SanSpeed :050

Password :0123

> TXToDispenser

RXFromDispenser

When password is inputted correctly, push DOWN until cursor is at TXToDispenser

PROGRAMMING

RecAfRacks :002

RinseSpeed :050

RinseDelay :\*\*\*s

RinseLimit :\*\*\*s

ResetRackCNT: N

ResetInitCNT: N

> InitChaRepeat : Y

When programming finished, push UP or DOWN until cursor is at Password:

PROGRAMMING

SanRunWith :Det

SanSpeed :050

Password :0123

> TXToDispenser

RXFromDispenser

Press ENTER button, then parameter will be sent to main unit. If main unit receives information, speaker will give long beep 1000ms and flash Alarm LED for 5 seconds on main unit as positive feedback to confirm that program was received.

PROGRAMMING

SanRunWith :Det

SanSpeed :050

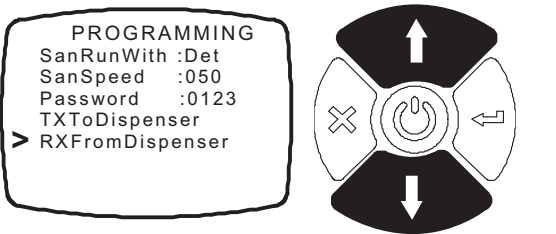
> Password :0000

TXToDispenser

RXFromDispenser

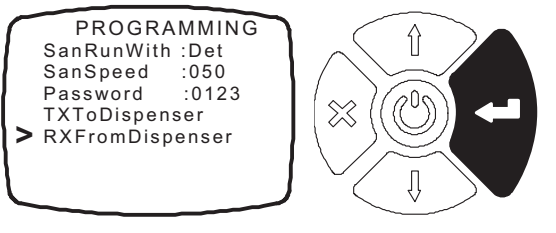
Press ENTER button, when selection is flashing, you can input the password correctly.

## Programming (Continued)



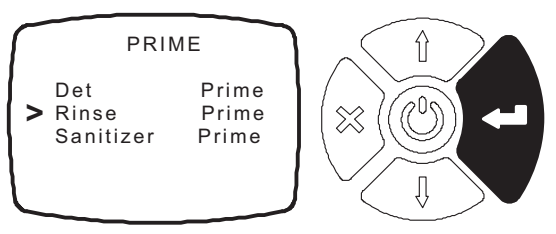
PROGRAMMING  
SanRunWith :Det  
SanSpeed :050  
Password :0123  
TXToDispenser  
> RXFromDispenser

If you want read parameter from main unit, use UP or DOWN button to move cursor to RX



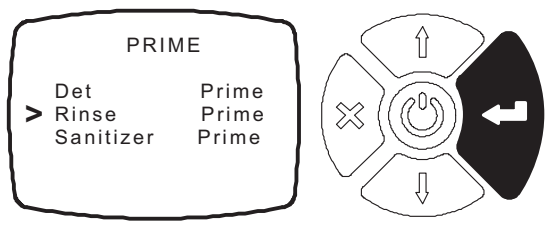
PROGRAMMING  
SanRunWith :Det  
SanSpeed :050  
Password :0123  
TXToDispenser  
> RXFromDispenser

Then press ENTER button to get read parameter from main unit. If failed, item will flash.



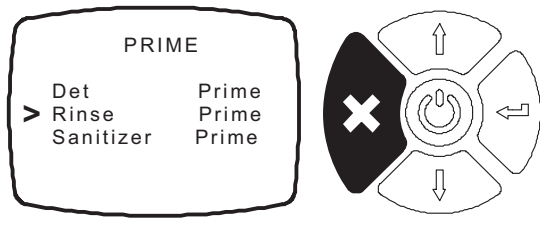
PRIME  
Det Prime  
> Rinse Prime  
Sanitizer Prime

Press ENTER button, prime order will be sent to main unit. If main unit receives information, speaker will give short beep 100ms as feedback.



PRIME  
Det Prime  
> Rinse Prime  
Sanitizer Prime

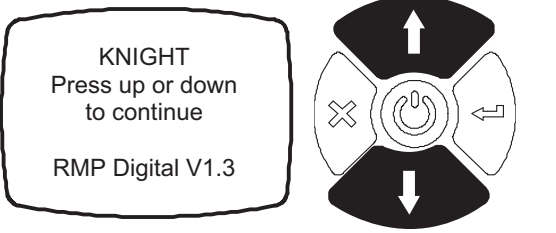
Press ENTER button again, priming will stop



PRIME  
Det Prime  
> Rinse Prime  
Sanitizer Prime

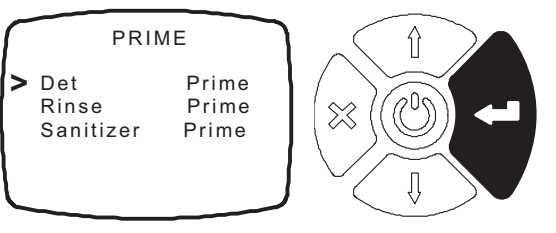
Press CANCEL button to exit.

## Prime



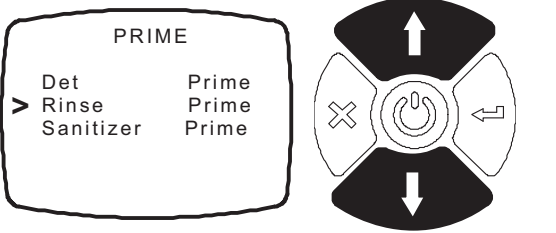
KNIGHT  
Press up or down  
to continue  
  
RMP Digital V1.3

Press UP or DOWN button until prime page appears



PRIME  
> Det Prime  
Rinse Prime  
Sanitizer Prime

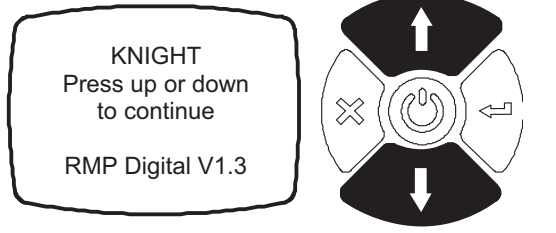
Press ENTER to go into prime page



PRIME  
> Det Prime  
Rinse Prime  
Sanitizer Prime

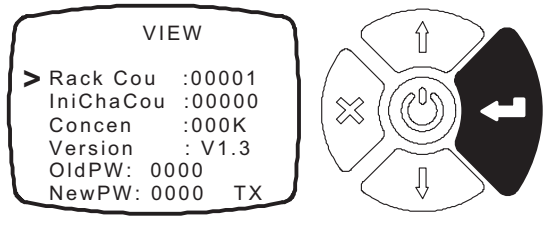
Press UP or DOWN to select item

## View Parameter



KNIGHT  
Press up or down  
to continue  
  
RMP Digital V1.3

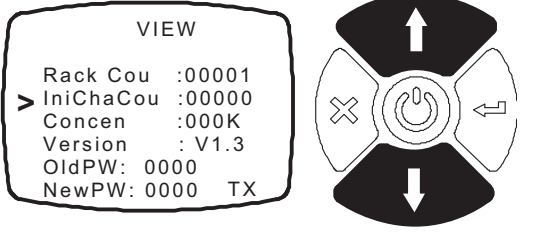
Press UP or DOWN button until view parameter page appears



VIEW  
> Rack Cou :00001  
IniChaCou :00000  
Concen :000K  
Version : V1.3  
OldPW: 0000  
NewPW: 0000 TX

Press ENTER to go into view parameter page

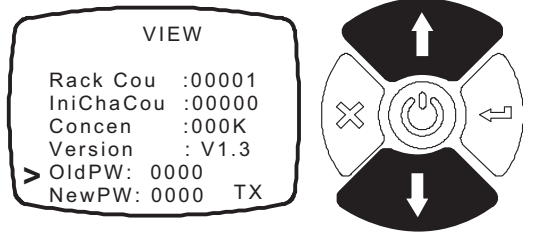
## View Parameter (continued)



VIEW

```
Rack Cou :00001
> IniChaCou :00000
Concen :000K
Version : V1.3
OldPW: 0000
NewPW: 0000 TX
```

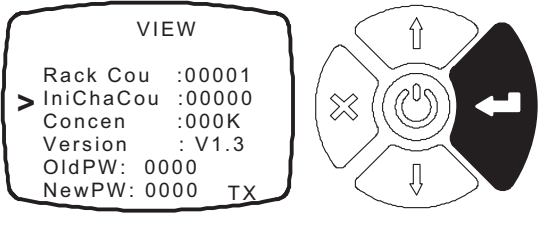
Press UP or DOWN to select item



VIEW

```
Rack Cou :00001
IniChaCou :00000
Concen :000K
Version : V1.3
> OldPW: 0000
NewPW: 0000 TX
```

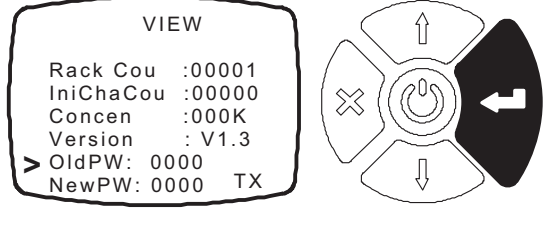
Press UP or DOWN to change number to correct old password.



VIEW

```
Rack Cou :00001
> IniChaCou :00000
Concen :000K
Version : V1.3
OldPW: 0000
NewPW: 0000 TX
```

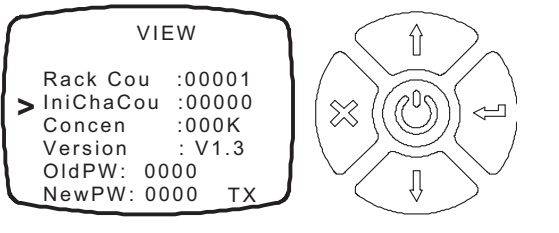
Press ENTER button, view order will be sent to main unit. If main unit receives order, speaker will give short beep 100ms as feedback.



VIEW

```
Rack Cou :00001
IniChaCou :00000
Concen :000K
Version : V1.3
> OldPW: 0000
NewPW: 0000 TX
```

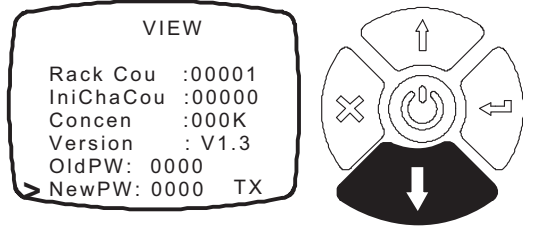
Press ENTER to input old password.



VIEW

```
Rack Cou :00001
> IniChaCou :00000
Concen :000K
Version : V1.3
OldPW: 0000
NewPW: 0000 TX
```

If remote controller receive parameter, LCD will up-date parameter immediately. If failed, item will flash.

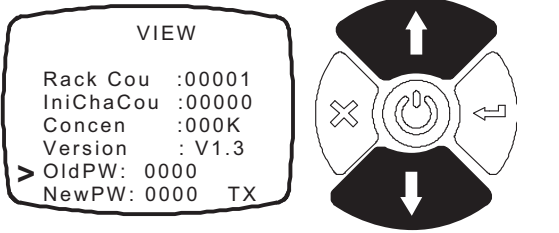


VIEW

```
Rack Cou :00001
IniChaCou :00000
Concen :000K
Version : V1.3
OldPW: 0000
> NewPW: 0000 TX
```

Press DOWN until cursor is at NewPW: 0000

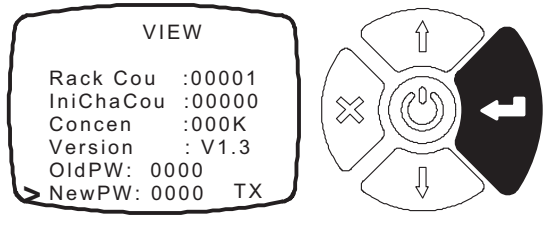
## Password



VIEW

```
Rack Cou :00001
IniChaCou :00000
Concen :000K
Version : V1.3
> OldPW: 0000
NewPW: 0000 TX
```

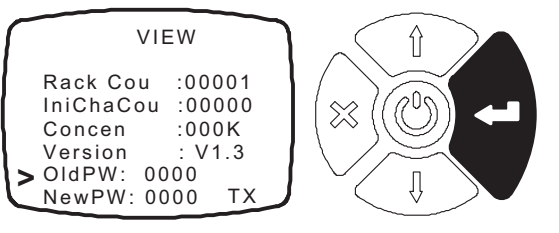
Press UP or DOWN until cursor is at OldPW: 0000



VIEW

```
Rack Cou :00001
IniChaCou :00000
Concen :000K
Version : V1.3
OldPW: 0000
> NewPW: 0000 TX
```

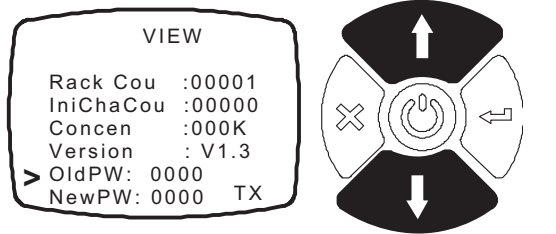
Press ENTER, when selection is flashing, you can input new password.



VIEW

```
Rack Cou :00001
IniChaCou :00000
Concen :000K
Version : V1.3
> OldPW: 0000
NewPW: 0000 TX
```

Press ENTER, when selection is flashing, you can input the old password.

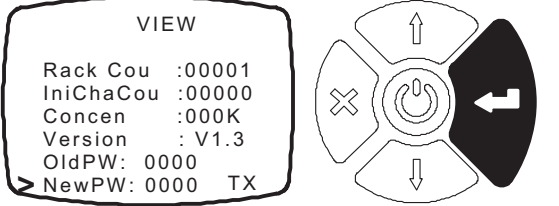


VIEW

```
Rack Cou :00001
IniChaCou :00000
Concen :000K
Version : V1.3
> OldPW: 0000
NewPW: 0000 TX
```

Press UP or DOWN to change number to new password.

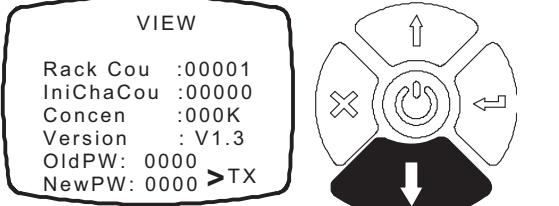
## Password (continued)



VIEW

```
Rack Cou :00001
IniChaCou :00000
Concen :000K
Version : V1.3
OldPW: 0000
> NewPW: 0000 TX
```

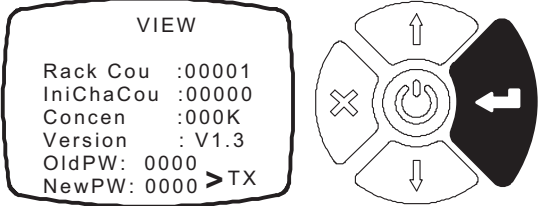
Press ENTER to input new password.



VIEW

```
Rack Cou :00001
IniChaCou :00000
Concen :000K
Version : V1.3
OldPW: 0000
NewPW: 0000 >TX
```

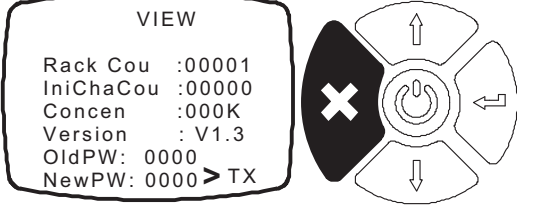
Press DOWN to select TX



VIEW

```
Rack Cou :00001
IniChaCou :00000
Concen :000K
Version : V1.3
OldPW: 0000
NewPW: 0000 >TX
```

Press ENTER button, command will be sent to main unit. If main unit receives order and old password is correct, speaker will give short beep 100ms and LED flash as feedback that new password is accepted.



VIEW

```
Rack Cou :00001
IniChaCou :00000
Concen :000K
Version : V1.3
OldPW: 0000
NewPW: 0000 >TX
```

Press CANCEL button to exit page and return to waiting page at any point



KNIGHT, LLC  
A Unit of IDEX Corporation  
20531 Crescent Bay Dr.  
Lake Forest, CA 92630-8825, U.S.A  
Phone: (949)595-4800  
Fax: (949)595-4801  
www.knightequip.com

## EC – DECLARATION OF CONFORMITY

**Equipment Description:** Chemical Dispenser Systems

**Type/Model Number:** RMP Digital, if indicated **CE**

The signing legal authorities state that the above mentioned equipment meets the requirements for emission, immunity and safety according to.

### Application of Council Directives:

#### Electromagnetic compatibility

**(EMC) Directive 2004/108/EC (and former Directive 89/336/EEC as amended by 92/31/EEC and 93/68/EEC)**

Standards to Which Conformity Is Declared: **EN 61326-1: 2006** Electrical Equipment Measurement, Control & Laboratory Use (Normal Environment)

**For Information:** The “Electromagnetic Test” took place at the Aegis Labs, Lake Forest, CA, U.S.A

#### Electrical Safety

**Low Voltage Directive (LVD) 2006/95/EC (and former Directive 73/23/EEC)**

Standards to Which Conformity Is Declared: **EN 61010-1** (2nd Edition) - Safety Requirements for Electrical Equipment for Measurement, Control, and Laboratory Use - Part 1: General Requirements

**For Information:** The “Electrical Safety Test” took place at the CSA International, Irvine, CA, U.S.A  
Signature of representative of manufacturer:

Name: Wood, Craig  
Position: Director of Engineering  
Date: November 08, 2010



---

## **DISCLAIMER**

Knight LLC does not accept responsibility for the mishandling, misuse, or non-performance of the described items when used for purposes other than those specified in the instructions. For hazardous materials information consult label, MSDS, or Knight LLC. Knight products are not for use in potentially explosive environments. Any use of our equipment in such an environment is at the risk of the user, Knight does not accept any liability in such circumstances.

## **WARRANTY**

All Knight controls and pump systems are warranted against defects in material and workmanship for a period of ONE year. All electronic control boards have a TWO year warranty. Warranty applies only to the replacement or repair of such parts when returned to factory with a Knight Return Authorization (KRA) number, freight prepaid, and found to be defective upon factory authorized inspection. Bearings and pump seals or rubber and synthetic rubber parts such as "O" rings, diaphragms, squeeze tubing, and gaskets are considered expendable and are not covered under warranty. Warranty does not cover liability resulting from performance of this equipment nor the labor to replace this equipment. Product abuse or misuse voids warranty.

## **FOOTNOTE**

The information and specifications included in this publication were in effect at the time of approval for printing. Knight LLC reserves the right, however, to discontinue or change specifications or design at any time without notice and without incurring any obligation whatsoever.

---

**KNIGHT LLC, A Unit of IDEX Corporation ([www.knightequip.com](http://www.knightequip.com))**

<b>Knight Headquarters</b>	<b>USA Toll Free</b>	<b>Knight Canada</b>	<b>Knight Europe</b>	<b>Knight Australia</b>	<b>Knight N. Asia</b>	<b>Knight S. Asia</b>
Tel: 949.595.4800	Tel: 800.854.3764	Tel: 905.542.2333	Tel: 44.1323.514855	Tel: 61.02.4223.7450	Tel: 82.2.3481.6683	Tel: 65.6763.6633
Fax: 949.595.4801	Fax: 800.752.9518	Fax: 905.542.1536	Fax: 44.1323.514828	Fax: 61.02.4271.8236	Fax: 82.2.3482.5742	Fax: 65.6764.4020