



SOLID RINSE DISPENSER INSTRUCTION MANUAL

Warning: Due to the typical installation requirements and the caustic content of many chemical products, it is required that all power and water sources be shut off before connecting or servicing of the Solid Rinse Dispenser and any connected peripheral devices.

INTRODUCTION

The Solid Rinse Dispenser (SRD) is designed to liquefy solid, or "screen-feed" drying agents (rinse aid) for injection into a dishmachine final rinse line. Each dispenser includes a 24 VAC water solenoid valve, a plastic solenoid cover, a Power Bowl Plus dry chemical feeder, copper tubing, vacuum breaker (optional), hose and mounting hardware. The SRD can be powered by any existing warewash dispenser, including the Knight Ultra-Pro and Micro-Pro series systems.

INSTALLATION INSTRUCTIONS

- (1) Install straight 8" length of copper tubing from water valve assembly to the discharge side of the vacuum breaker provided. Install the "S" shaped copper tubing from the discharge side of solenoid to inlet side of vacuum breaker. Note: Many regulatory agencies require a vacuum breaker to be mounted between the water source and the Solid Rinse Dispenser. Typically, the vacuum breaker is required to be mounted a minimum of 6" above the water inlet valve on the Solid Rinse Dispenser.
- (2) Mount the Solid Rinse Dispenser on the wall near the dishmachine with wall anchors and screws that are provided in the accessory kit.
- (3) Run the discharge tube from the bottom of the rinse reservoir to the suction side of the rinse pump on the warewash dispenser (see diagram on page 3).
- (4) Run discharge tube from rinse pump to dishmachine injection point.
- (5) Connect 1/4" copper tubing from intake side of the solenoid to the incoming water line. Note: The water temperature should not exceed 140 degrees F. The water pressure must be between 25 and 40 PSI. It may be necessary to adjust water valve to achieve recommended pressure.

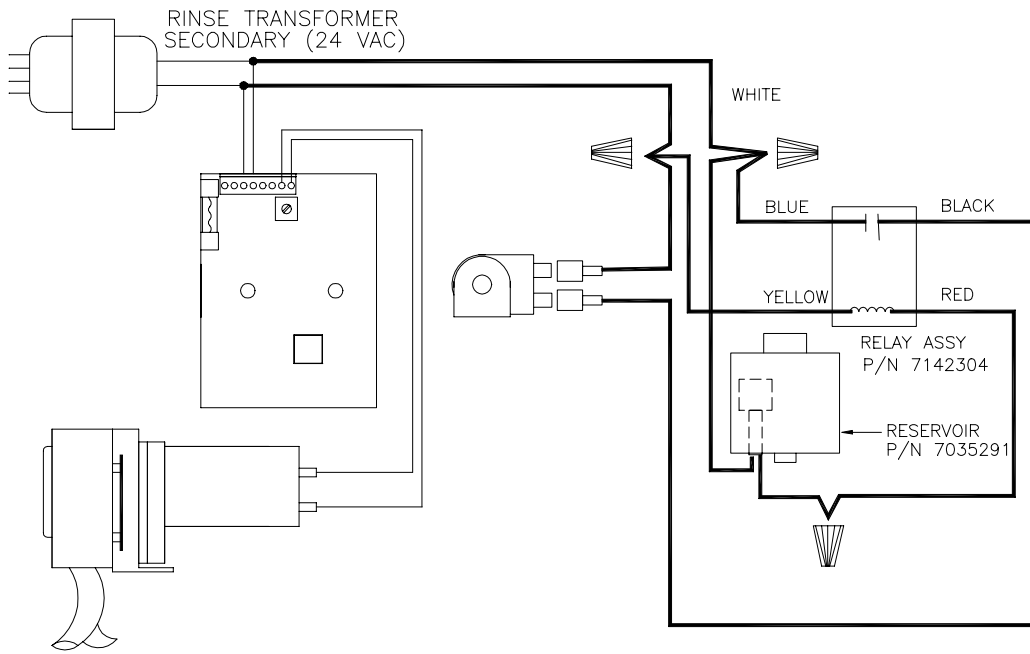
WIRING INSTRUCTIONS

- (1) Turn off electrical power to all equipment involved in the installation.
- (2) Route the cable that is provided with the SRD to the secondary side of the transformer of the warewash control system (see wiring diagram for example). The SRD requires 24 VAC power to activate the water solenoid valve that liquefies the chemical.

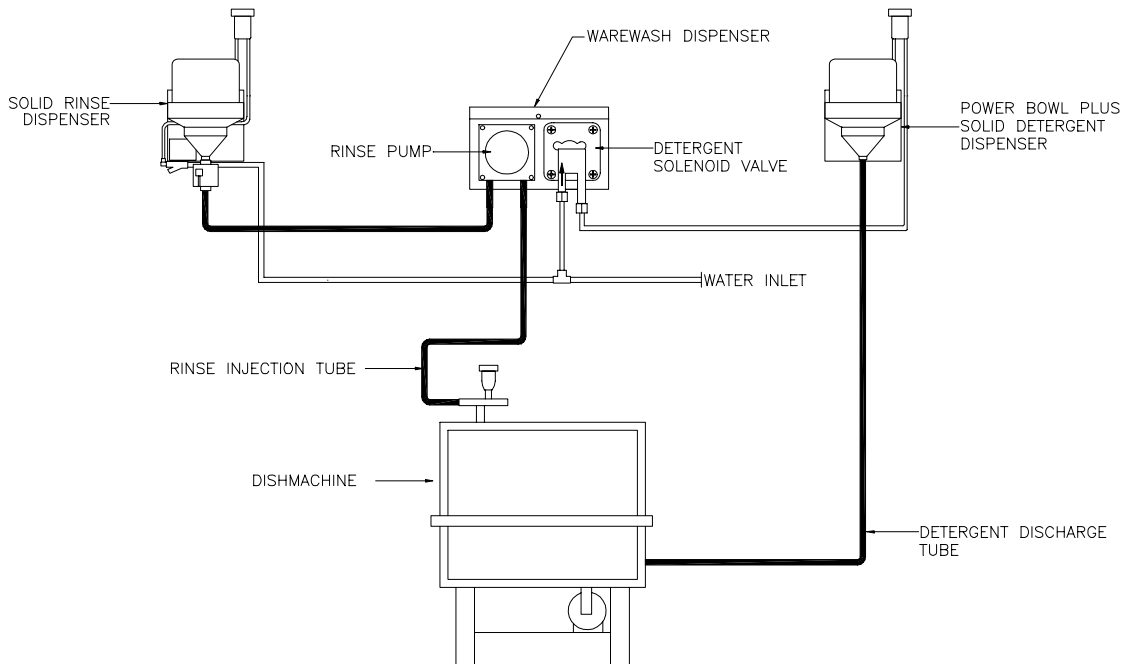
OPERATION

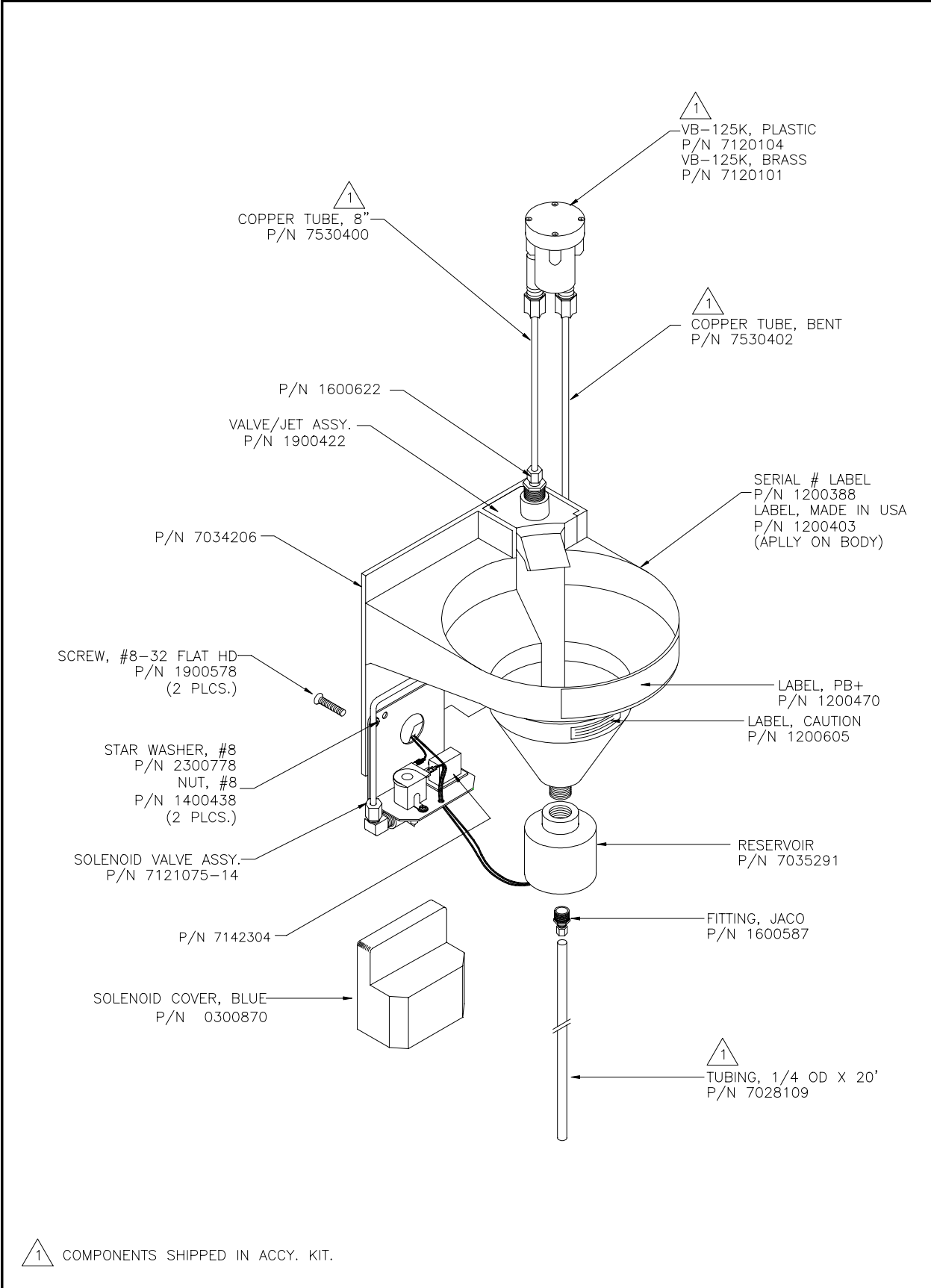
After the unit is installed, insert the solid rinse container into the Solid Rinse Dispenser. When the rinse pump is signaled, the solenoid will open, allowing water to spray into the container and dissolve the rinse additive into the reservoir. The rinse reservoir can hold a maximum of 4 ounces of product. The internal level float switch will maintain a supply of 2 ounces at all times.

WIRING CONNECTION
EXAMPLE SHOWN: UP-1200



SOLID RINSE DISPENSER TYPICAL INSTALLATION





1 COMPONENTS SHIPPED IN ACCY. KIT.

DISCLAIMER

Knight Inc. does not accept responsibility for the mishandling, misuse, or non-performance of the described items when used for purposes other than those specified in the instructions. For hazardous materials information consult label, MSDS, or Knight Inc.

WARRANTY

All Knight controls and pump systems are warranted against defects in material and workmanship for a period of ONE year. All electronic control boards have a TWO year warranty. Warranty applies only to the replacement or repair of such parts when returned to factory with a Knight Return Authorization (KRA) number, freight prepaid, and found to be defective upon factory authorized inspection. Bearings and pump seals or rubber and synthetic rubber parts such as "O" rings, diaphragms, squeeze tubing, and gaskets are considered expendable and are not covered under warranty. Warranty does not cover liability resulting from performance of this equipment nor the labor to replace this equipment. Product abuse or misuse voids warranty.

KNIGHT INC. A Unit of IDEX Corporation

World Headquarters: 20531 Crescent Bay Dr. Lake Forest, CA 92630-8825 USA TEL: (949) 595-4800 FAX: (949) 595-4801	Atlanta Branch: 8111 Technology Dr. NE Covington, GA 30014 USA TEL: (770) 787-9400 FAX: (770) 787-1155	Toronto Branch: 2880 Argentia Road, Unit 6 Mississauga, Ontario L5N 7X8 Canada TEL: (905) 542-2333 FAX: (905) 542-1536	London Branch: #15 Brunel Centre Newton Road, Crawley West Sussex UK RH102UB TEL: (44) 1293-615570 FAX: (44) 1293-615585	Sydney Branch: Unit 28, 317-321 Woodpark Rd., Smithfield NSW Australia 2164 TEL: 61-29-725-2588 FAX: 61-29-725-2025	Amsterdam Branch: Marssteden 68 7547 TD Enschede The Netherlands TEL: 31-53-428-58-00 FAX: 31-53-428-58-09
--	---	---	---	--	---