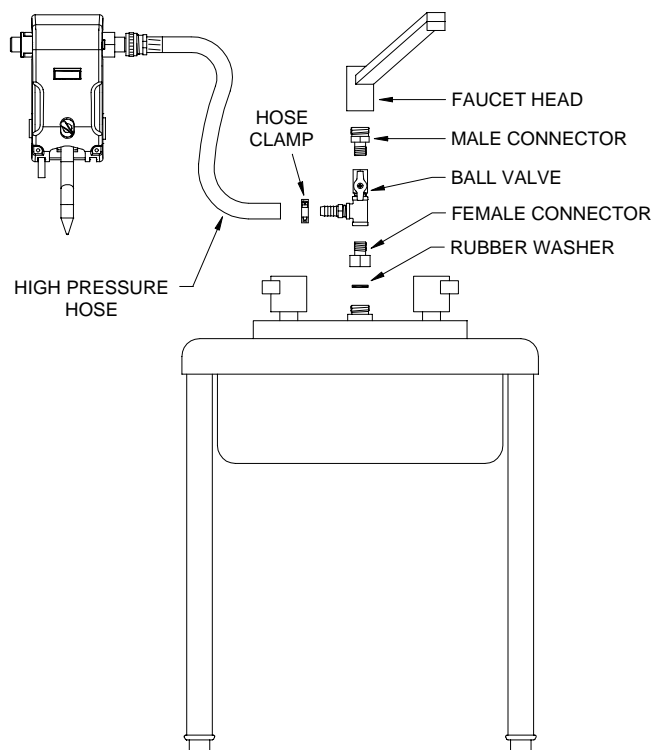


The Knight Faucet Plus is the most effective yet simple way to connect your Knight chemical proportioner to a commercial kitchen sink. The Faucet Plus includes all the components required to plumb tempered water from a Fisher, T & S or Chicago faucet head. Follow these simple installation procedures to supply water to your Knight chemical proportioner.

INSTALLATION

- (1) Disconnect faucet head from sink top.
- (2) Connect appropriate faucet connector to male thread of sink top placing rubber washer between female connector and male pipe thread on sink. Use plumbing tape on all joints.
- (3) Turn the tee on to the male end of faucet connector. Tighten as required.
- (4) Turn the ball valve (female end) on to the tee until tight.
- (5) Insert and tighten matching faucet connector to the ball valve.
- (6) Re-attach faucet head to connector and tighten as required.
- (7) Attach blunt end of High Pressure Hose to 1/2" barb and secure with hose clamp.
- (8) Attach 3/4" garden hose connector to proportioner inlet fitting.
- (9) Turn on water valves and ball valve to allow water flow to proportioner and check for leaks.

QTY	ITEM	PART #
1	Chrome/Nickel Plated Brass Tee, 3/8" NPT	9603083
1	Chrome/Nickel Plated Brass Barb, 3/8" NPT x 1/2" Barb	0600456
1	Chrome/Nickel Plated Fisher Faucet Connectors (x 2)	0400214
1	Chrome/Nickel Plated T & S Faucet Connectors (x 2)	0400217
1	Chrome/Nickel Plated Chicago Faucet Connectors (x 2)	0400211
1	Chrome Plated 3/8" Brass Ball Valve Male x Female	9603084
1	High Pressure Hose 3/4" MGHT x Blunt End, 6 ft.	0800427
1	Stainless Steel Hose Clamp	7020150
1	Rubber Washer	2300823



DISCLAIMER

Knight LLC does not accept responsibility for the mishandling, misuse, or non-performance of the described items when used for purposes other than those specified in the instructions. For hazardous materials information consult label, MSDS, or Knight LLC. Knight products are not for use in potentially explosive environments. Any use of our equipment in such an environment is at the risk of the user, Knight does not accept any liability in such circumstances.

WARRANTY

All Knight controls and pump systems are warranted against defects in material and workmanship for a period of ONE year. All electronic control boards have a TWO year warranty. Warranty applies only to the replacement or repair of such parts when returned to factory with a Knight Return Authorization (KRA) number, freight prepaid, and found to be defective upon factory authorized inspection. Bearings and pump seals or rubber and synthetic rubber parts such as "O" rings, diaphragms, squeeze tubing, and gaskets are considered expendable and are not covered under warranty. Warranty does not cover liability resulting from performance of this equipment nor the labor to replace this equipment. Product abuse or misuse voids warranty.

FOOTNOTE

The information and specifications included in this publication were in effect at the time of approval for printing. Knight, LLC reserves the right, however, to discontinue or change specifications or design at any time without notice and without incurring any obligation whatsoever.

KNIGHT LLC, A Unit of IDEX Corporation (www.knightequip.com)

Knight Headquarters Tel: 949.595.4800 Fax: 949.595.4801	USA Toll Free Tel: 800.854.3764 Fax: 800.752.9518	Knight Canada Tel: 905.542.2333 Fax: 905.542.1536	Knight Europe Tel: 44.1293.615.570 Fax: 44.1293.615.585	Knight Australia Tel: 61.2.9725.2588 Fax: 61.2.9725.2025	Knight N. Asia Tel: 82.2.3481.6683 Fax: 82.2.3482.5742	Knight S. Asia Tel: 65.6763.6633 Fax: 65.6764.4020
--	--	--	--	---	---	---
